

PARTS LIST

MDVN 46K - 53K

Version:

- STANDARD
- SKID
- AFTERCOOLED



MAXJONEL SRL

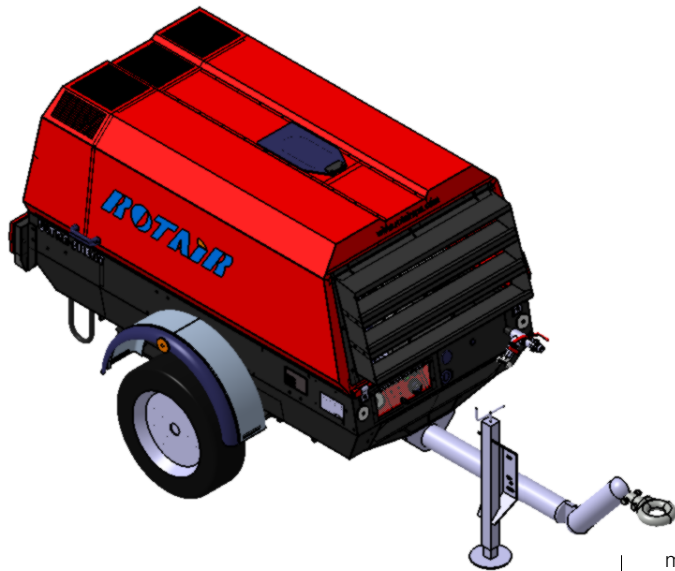
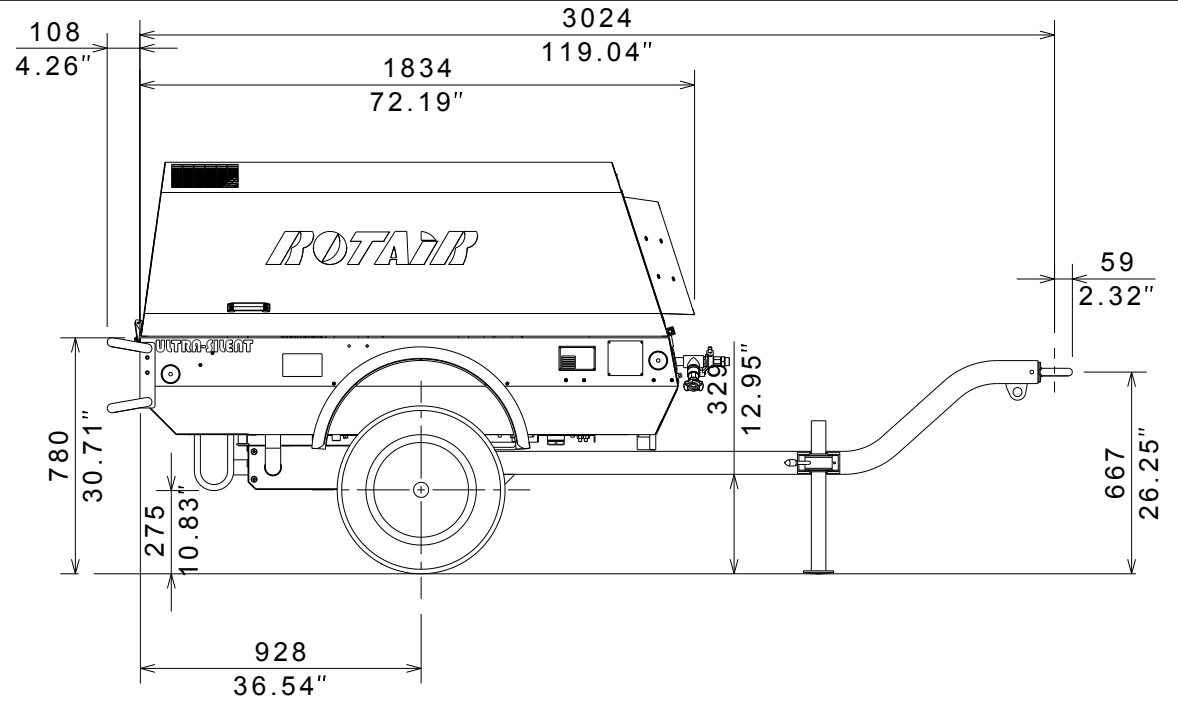
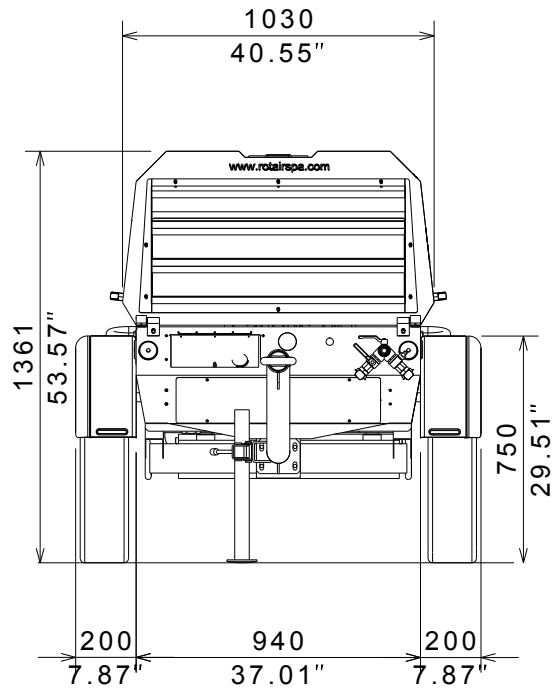
CUI: RO21803460; J28/418/2007

Str. Fratii Buzesti, 76A, Bals, judet Olt, 235100

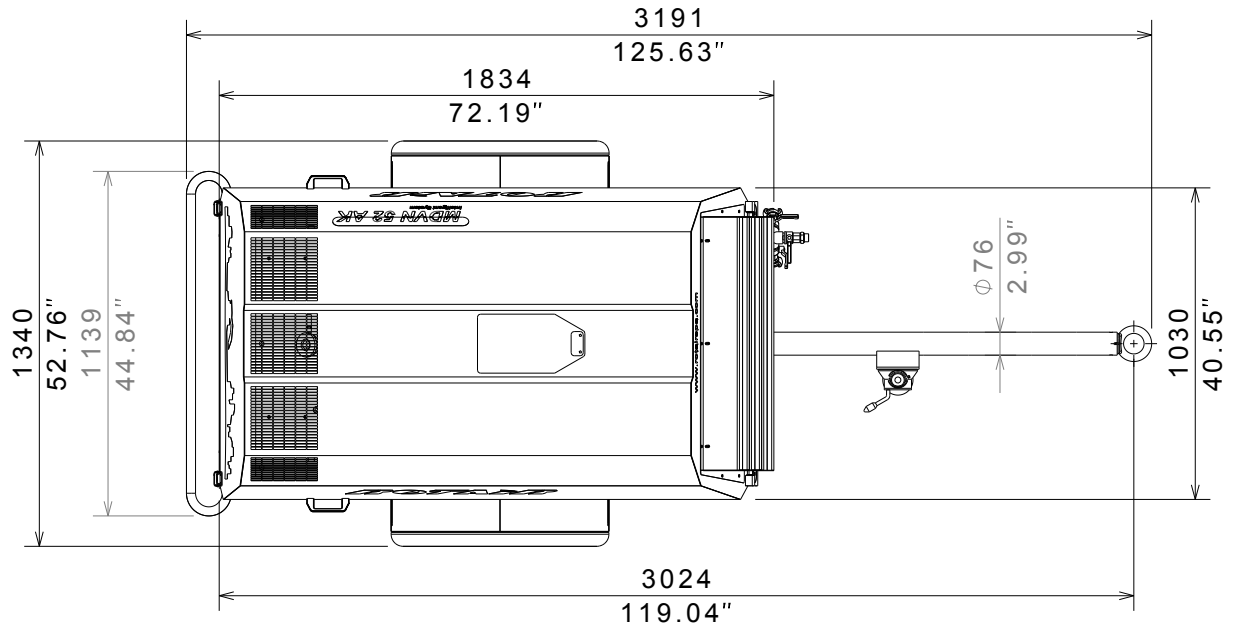
Comenzi: 0741 499 499 - 0757 101 819;

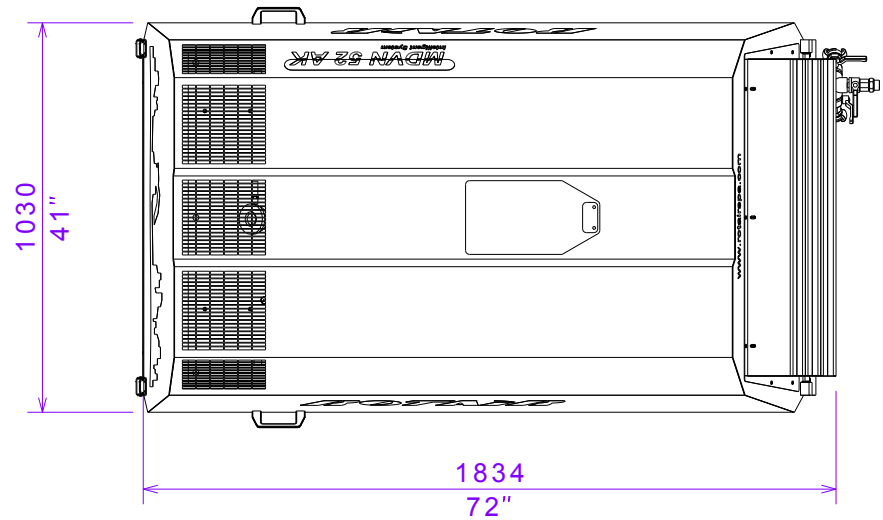
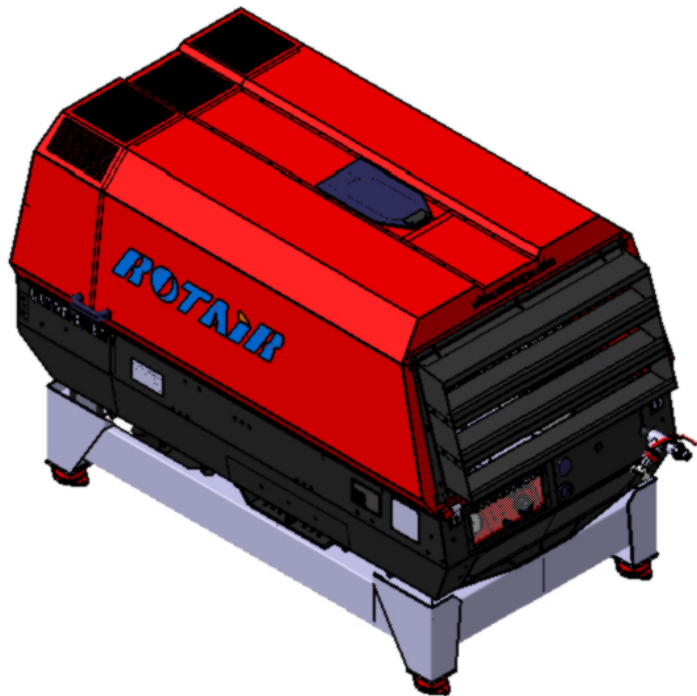
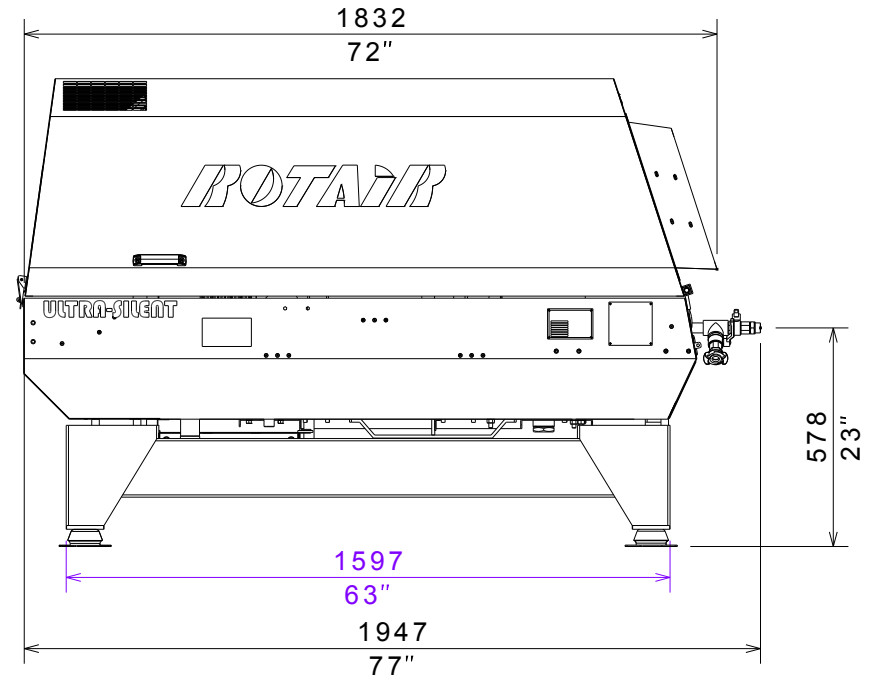
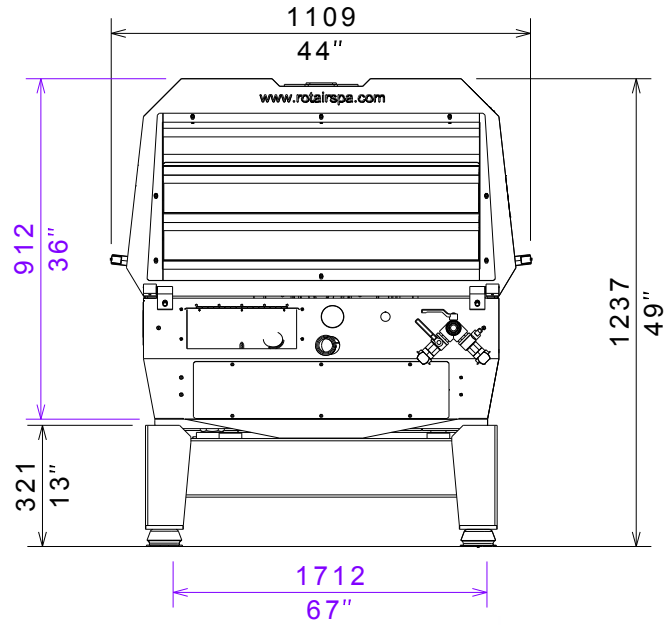
Piese schimb: 0785 850 961

comenzi@maxjonel.ro; www.maxjonel.ro



mm
Feet/inches





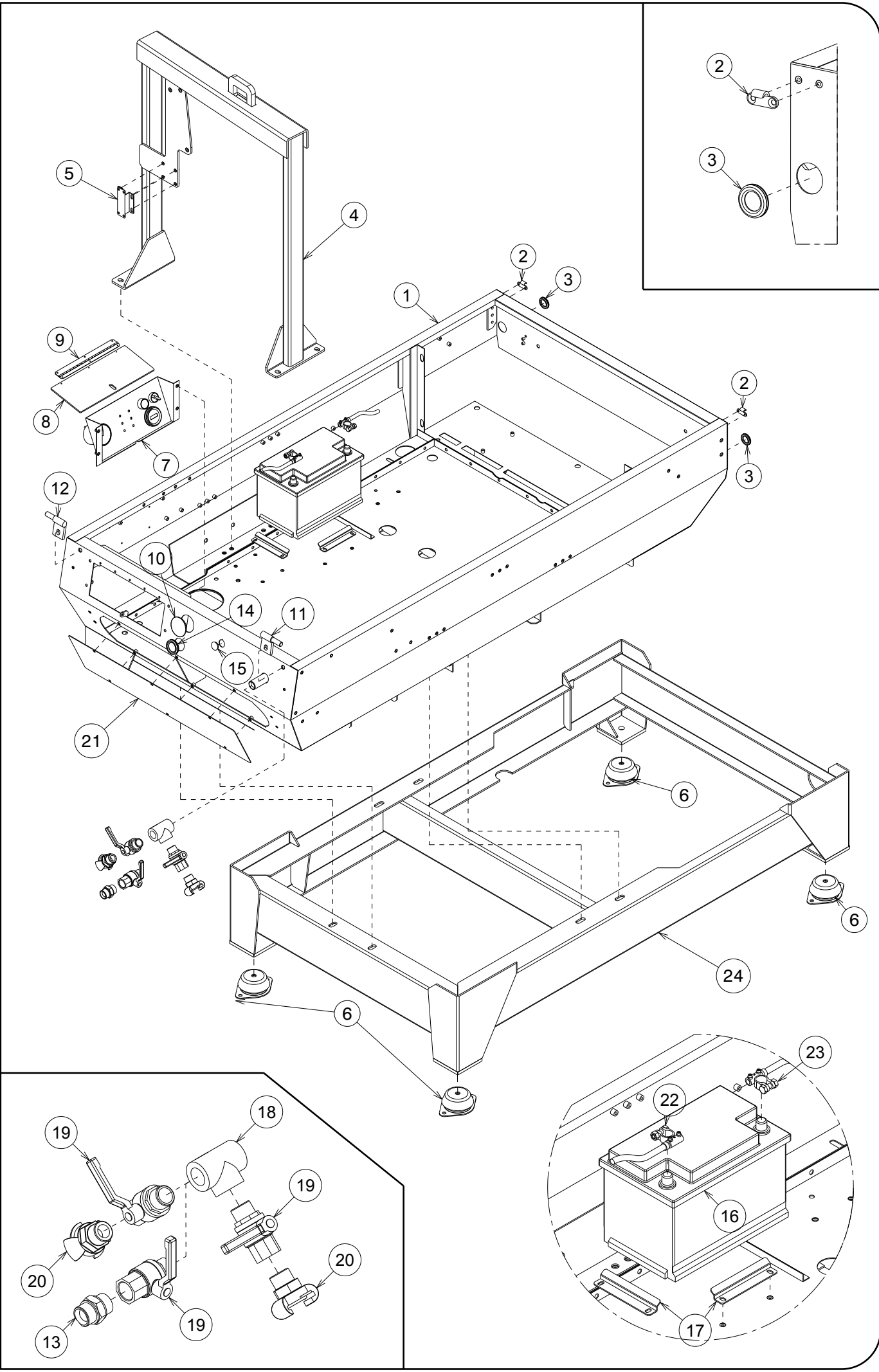
mm
Feet/inches

Motocompressor – MDVN 46K – 53K

PARTS LEGENDA: Skid version chassis

Tab. 01.1

POSITION	DESCRIPTION	PART No.	QUANTITY
1	Chassis	038-05220-S	1
2	Lock	128-011-S	2
3	Diaphragm fairlead DG29	239-040-S	2
4	Hoisting hook coupling	017-04722-S	1
5	Valves group support	010-314-S	1
6	Silent Block	061-0065-S	4
7	Control panel assembly	024-5542-F	1
8	Lexan door	057-0202-S	1
9	Control panel hinge	007-029-S	1
10	Plastic plug	106-39713-S	1
11	Fixed left hinge	007-023-S	1
12	Fixed right hinge	007-022-S	1
13	Double screw (3/4")	187-060-S	1
14	Diaphragm fairlead DG36	239-036-S	1
15	Plug	106-3152-S	1
16	Battery	174-007-S	1
17	Battery holder	115-009-S	2
18	Cross fitting	148-5450-S	1
19	Ball valve (3/4")	152-030-S	3
20	Bayonet fitting (3/4")	148-650-S	2
21	Air radiator closing panel	124-291-S	1
22	Battery positive cable	252-010-S	1
23	Battery negative cable	252-041-S	1
24	Skid subframe	038-0521920-S	1

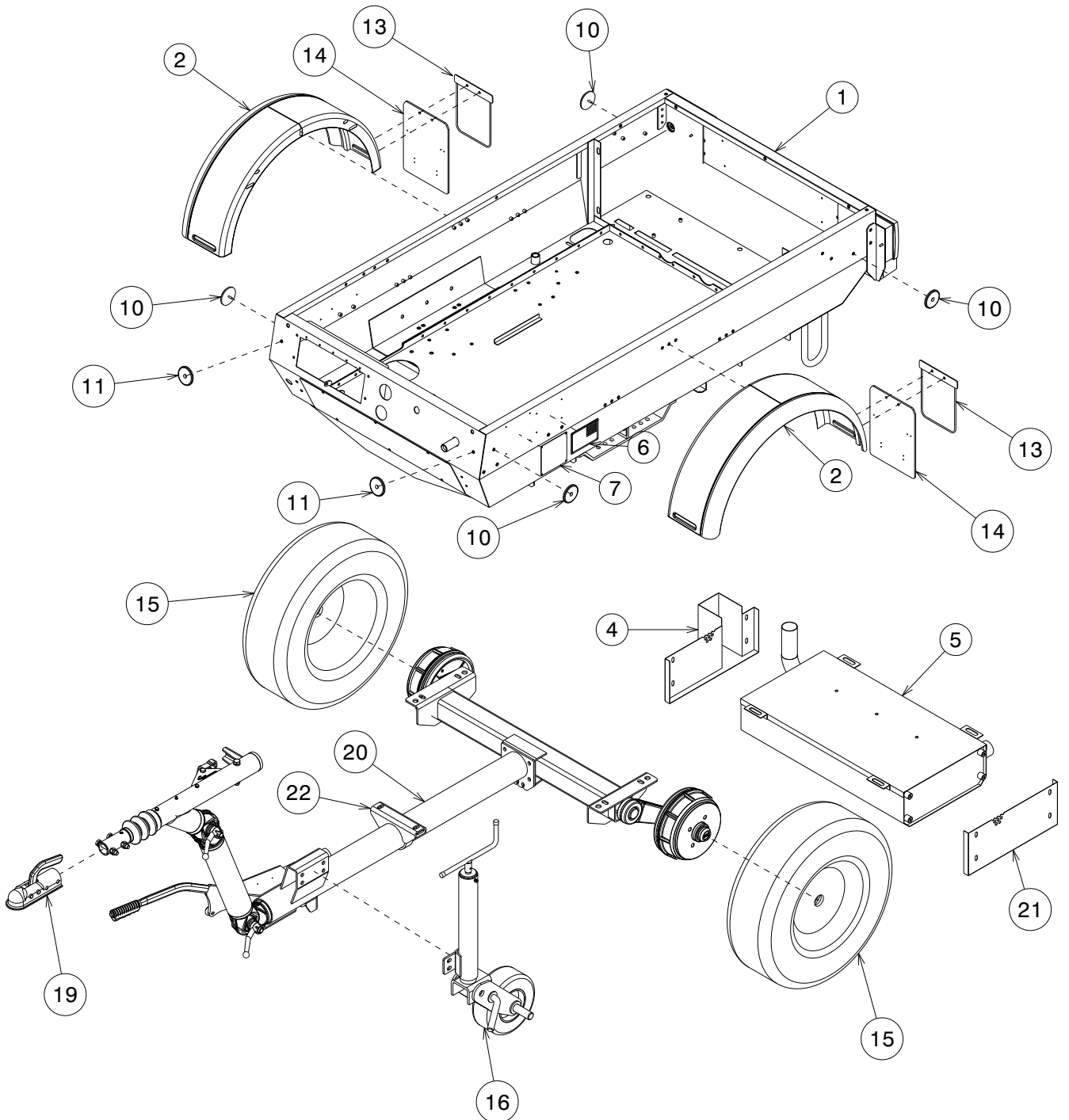
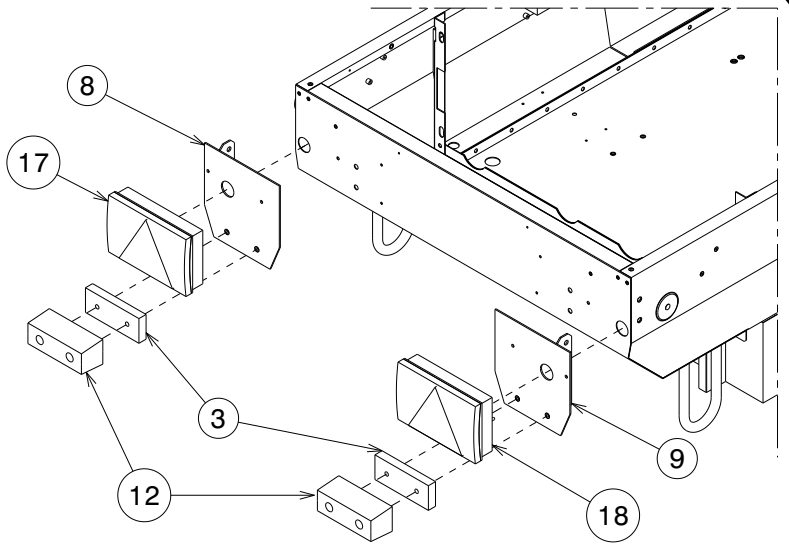
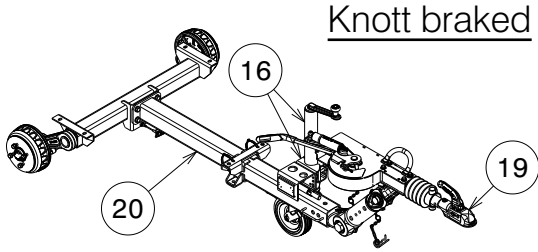
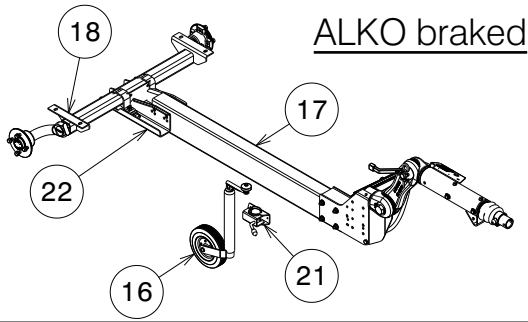


Motocompressor – MDVN 46K - 53K

PARTS LEGENDA: Chassis with axle

Tab. 01.2

POSITION	DESCRIPTION	PART No.	QUANTITY
OMC BRAKE AXLE			
1	Chassis	038-05220-S	1
2	Mudguard	055-0154-S	2
3	Bumper spacer	009-31300-S	2
4	Right muffler protection	124-123212-S	1
5	Muffler	042-08302-S	1
6	Serial No.plate	238-1457-S	1
7	Road homologation plate	238-110-S	1
8	Left light support	010-11250-S	1
9	Right light support	010-11252-S	1
10	Orange reflector d. 60	147-061-S	4
11	White reflector d.60	147-071-S	2
12	Rubber pad	197-004-S	2
13	Rubber splash guard support	010-29900-S	2
14	Rubber splash guard	032-0705-S	2
15	Wheel	054-197-S	2
16	Jockey wheel	068-019-S	1
17	Left rear light	142-001-S	1
18	Right rear light with reverse gear light	142-0025-S	1
19	Ball coupling	158-030-S	1
20	Axle and Drawbar	195-121200-S	1
21	Left muffler protection	124-123210-S	1
KNOTT BRAKE AXLE			
16	Jockey wheel	068-0365-S	1
	Adjusting clamp	212-0450-S	1
19	Ball coupling	158-01502-S	1
20	Axle and Drawbar	195-121100-S	1
ALKO BRAKED AXLE			
16	Jockey wheel	068-0365-S	1
17	Drawbar	046-03710-S	1
18	Axle	026-20512-S	1
21	Adjusting clamp	212-0450-S	1
22	Adjusting clamp ALKO	212-0470-S	1



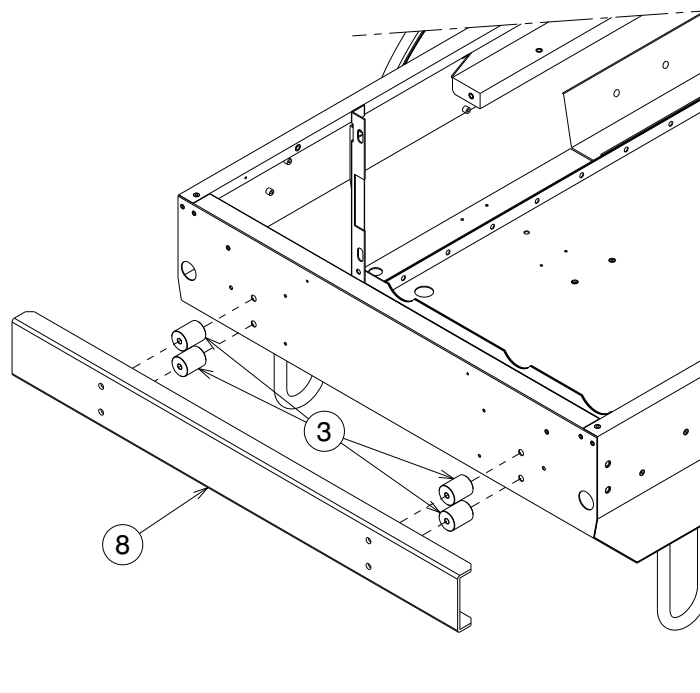
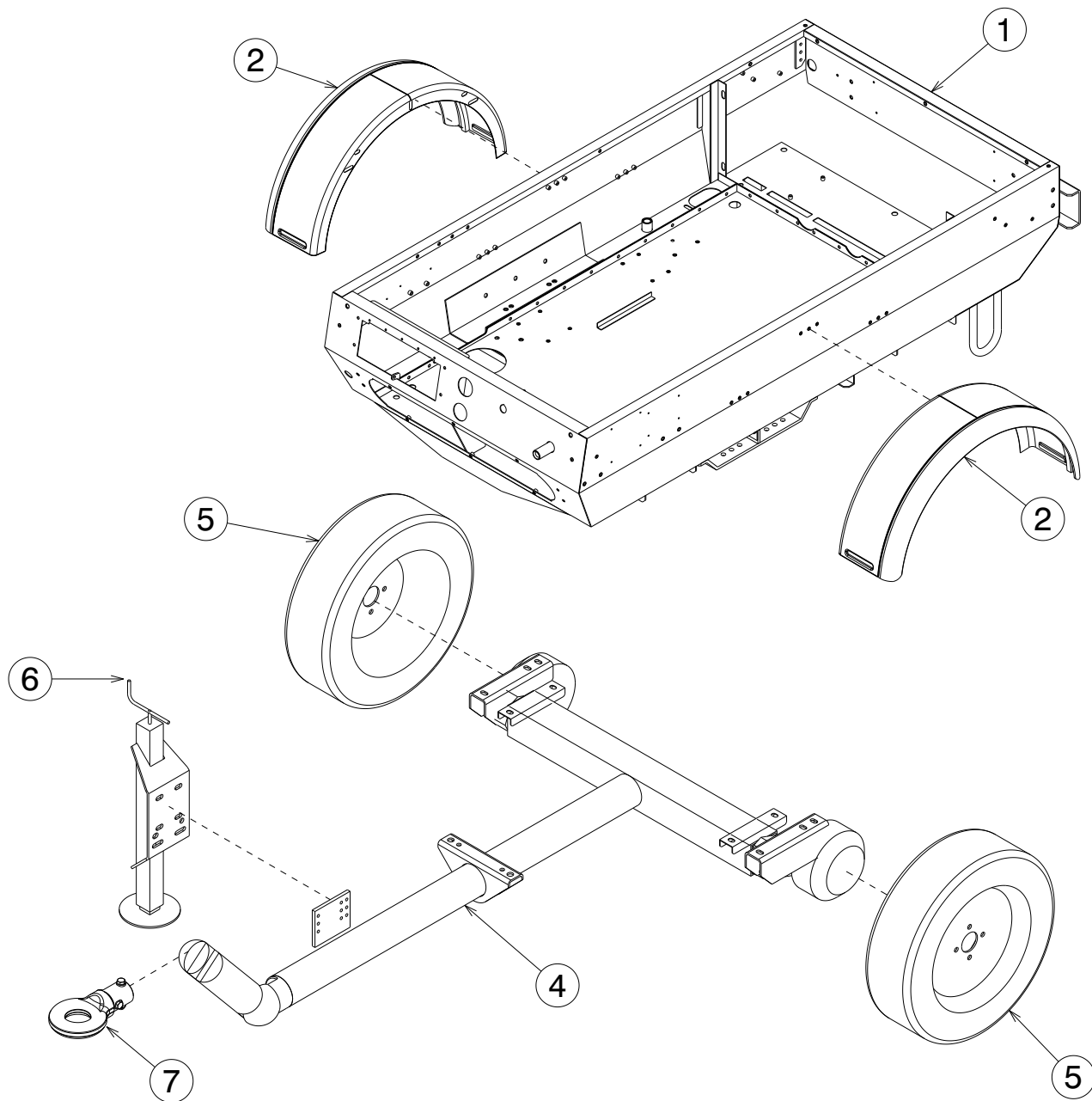
PARTS LIST

Motocompressor – MDVN 46K - 53K

PARTS LEGENDA: Chassis with axle (without brakes)

Tab. 01.2.1

POSITION	DESCRIPTION	PART No.	QUANTITY
1	Chassis	038-05220-S	1
2	Mudguard	055-0154-S	2
3	Bumper spacer	009-3123-S	4
4	Axle and Drawbar	195-1225-S	1
5	Wheel	054-173-S	2
6	Jockey wheel	068-019-S	1
7	Eye d.68	170-070-S	1
8	Bumper	032-11763-S	1



8

3

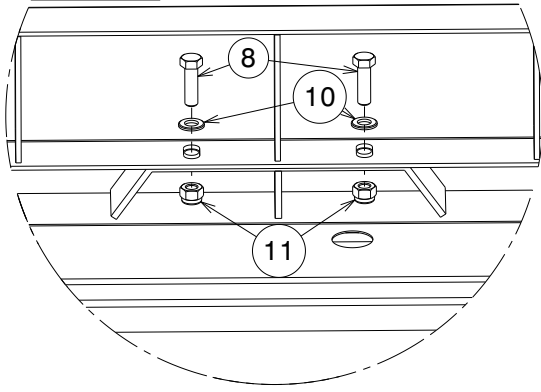
Motocompressor – MDVN 46K – MDVN 53K

PARTS LEGENDA: Skid Subframe

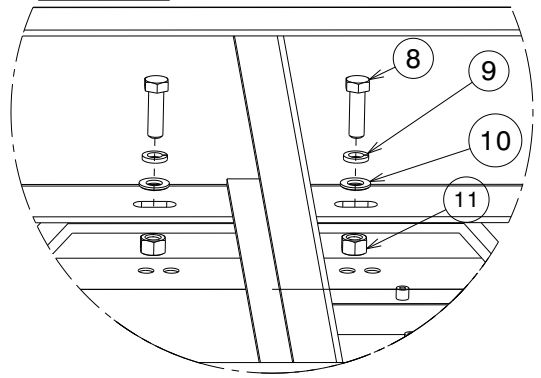
Tab. 01.3

POSITION	DESCRIPTION	PART No.	QUANTITY
1	Skid subframe	038-0521920-S	1
2	Chassis	038-05220-S	1
3	Muffler	042-083-S	1
4	Pipes clamp d.54x8	149-070-S	1
5	Collector – muffler extension	119-04955-S	1
6	Seal for muffler d.40	023-077-S	4
7	Silent Block	061-0065-S	4
8	T.E. M12x40 screw	132-194-S	10
9	Elastic washers	139-060-S	8
10	Flat washer d.13	015-034-S	10
11	Self-locking nut M12	137-060-S	2
12	Hex nut M12 UNI 5587	135-060-S	4

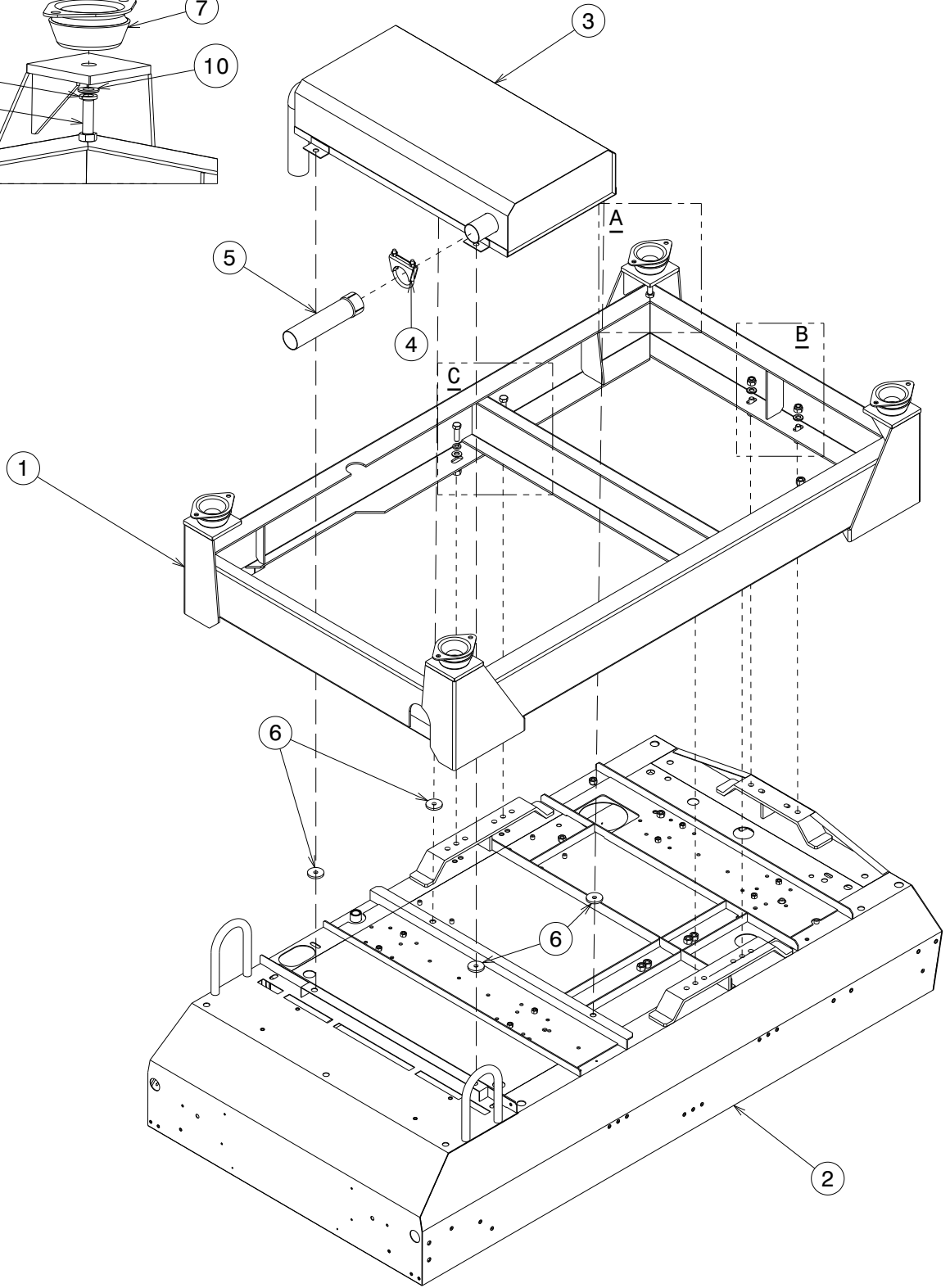
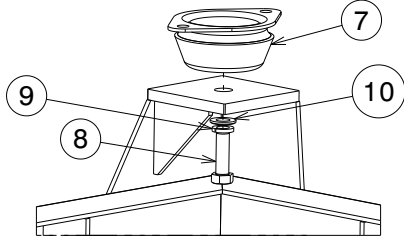
Detail B



Detail C



Detail A



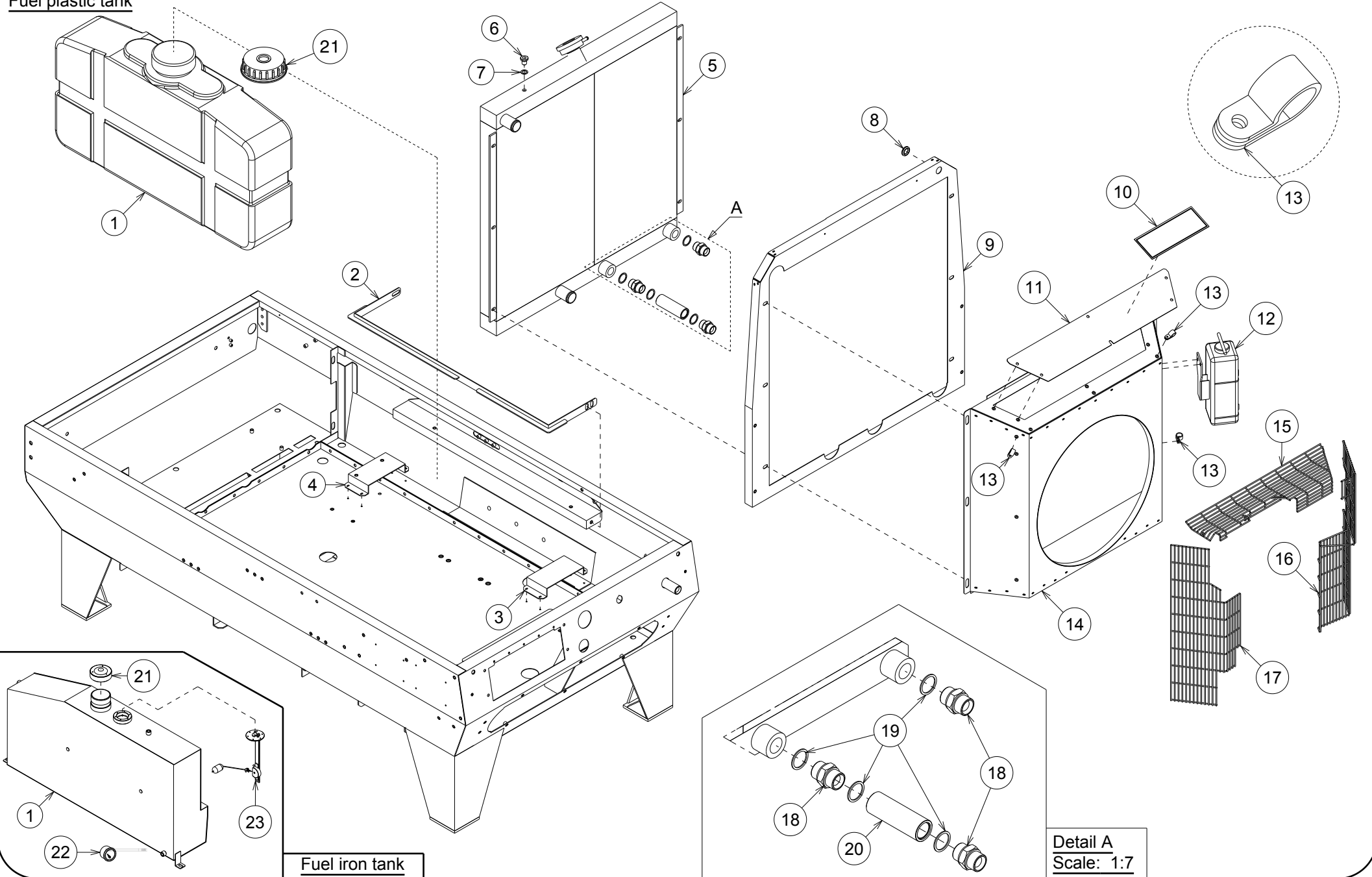
Motocompressor – MDVN 46K - 53K

PARTS LEGENDA: Fan cover - Radiator

Tab. 02

POSITION	DESCRIPTION	PART No.	QUANTITY
1	Gasoil plastic tank (SKID version)	201-023-S	1
	Gasoil plastic tank (Standard version)	201-0232-S	
	Iron tank	201-02820-S	
	USA iron tank	201-02870-S	
2	Gasoil tank check section (for plastic tank only)	120-35030-S	1
3	Gasoil tank support	010-3313-S	1
4	Gasoil tank support	010-3311-S	1
5	Water-oil radiator	011-06962-S	1
6	Hexagonal head plug (1/4")	106-086-S	1
7	Copper washer (1/4")	015-007-S	1
8	Diaphragm fairlead DG16	239-016-S	1
9	Radiator support	049-11551-S	1
10	Anti-freeze check sticker	238-007-S	1
11	Fan cover closing panel	124-285-S	1
12	Expansion tank kit	044-098065-S	1
13	Cable fastener clamp	149-220-S	3
14	Fan cover	001-17581-S	1
15	Upper fan protection panel	124-274051-S	1
16	Right side fan protection panel	124-27435-S	1
17	Left side fan protection panel	124-274451-S	1
18	Double screw (3/4")	187-060-S	3
19	Copper washer (3/4")	015-015-S	4
20	Sleeve L=100 (3/4")	063-080-S	1
21	Gasoil plastic tank plug (Standard version)	193-0210-S	1
	Gasoil plastic tank plug (Skid version)	193-036-S	
	Gasoil tank plug (for iron tank and USA version)	193-016-S	
22	Fuel level indicator (for USA version tank)	186-020-S	1
23	Float (for USA version tank)	192-011-S	1
	Gasoil warning light assembly (for iron tank)	024-019.85-S	
	Gasoil warning light assembly (for plastic tank)	024-019.65-S	

Fuel plastic tank



Fuel iron tank

Detail A
Scale: 1:7

PARTS LIST

Motocompressor – MDVN 46K - 53K

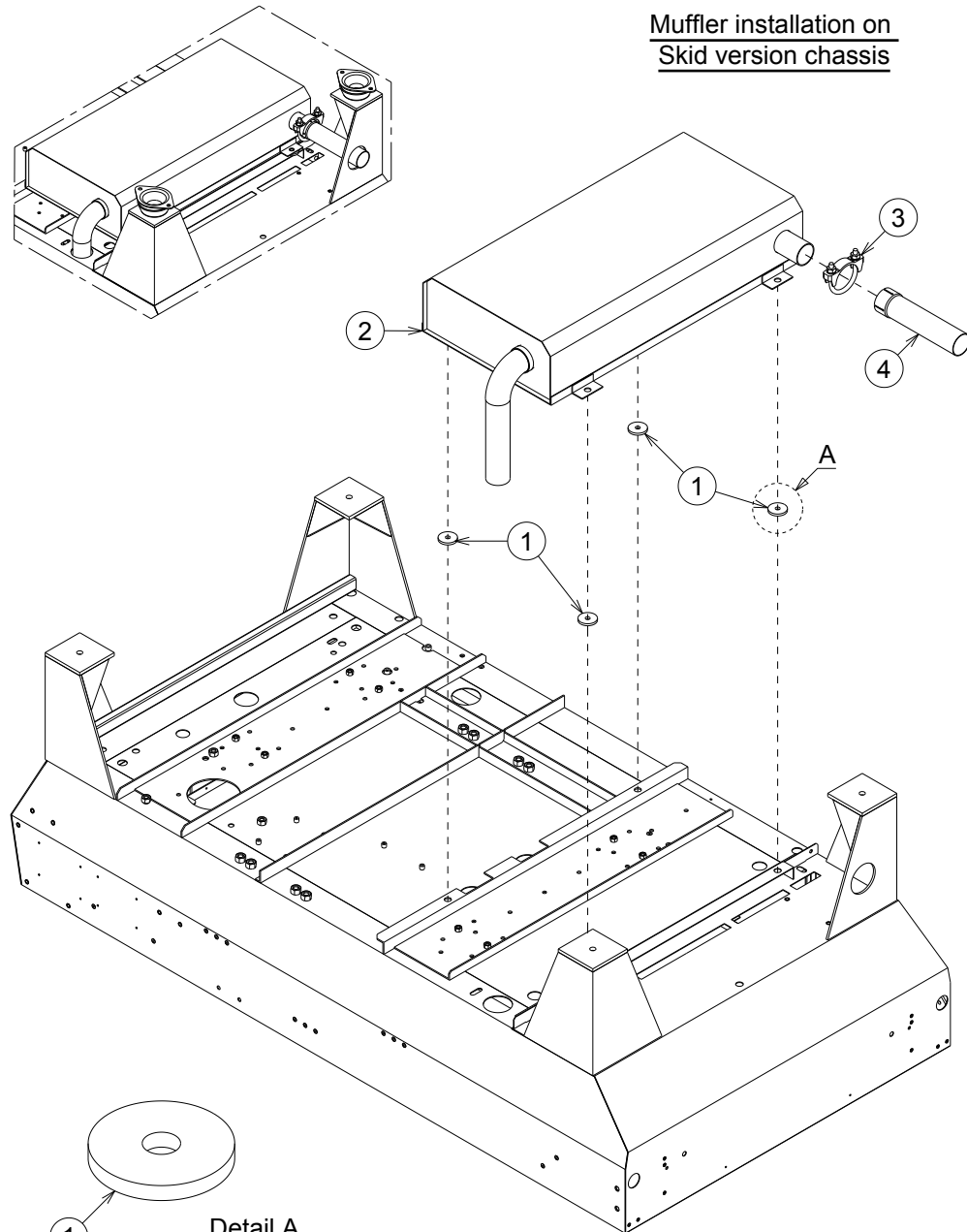
PARTS LEGENDA: Muffler

Tab. 03

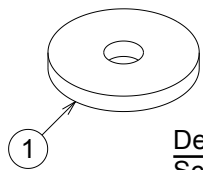
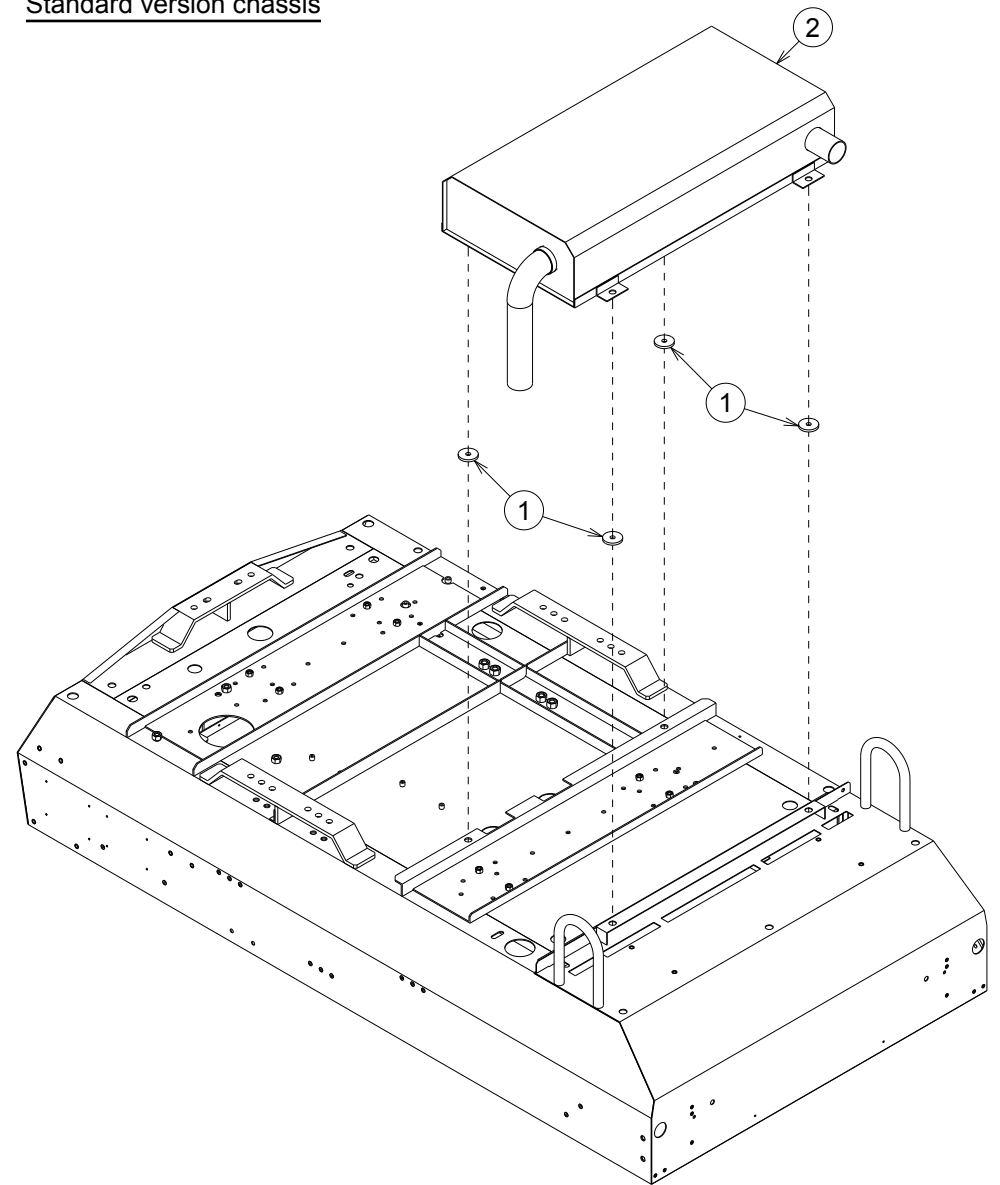
POSITION	DESCRIPTION	PART No.	QUANTITY
1	Cerflex seal d.40 th.5	023-077-S	4
2	Muffler	042-083-S	1
	Muffler (CE approved)	042-08302-S	
3	Clamp d.65	149-006-S	1
4	Collector – muffler extension	119-04955-S	1



Muffler installation on
Skid version chassis



Muffler installation on
Standard version chassis



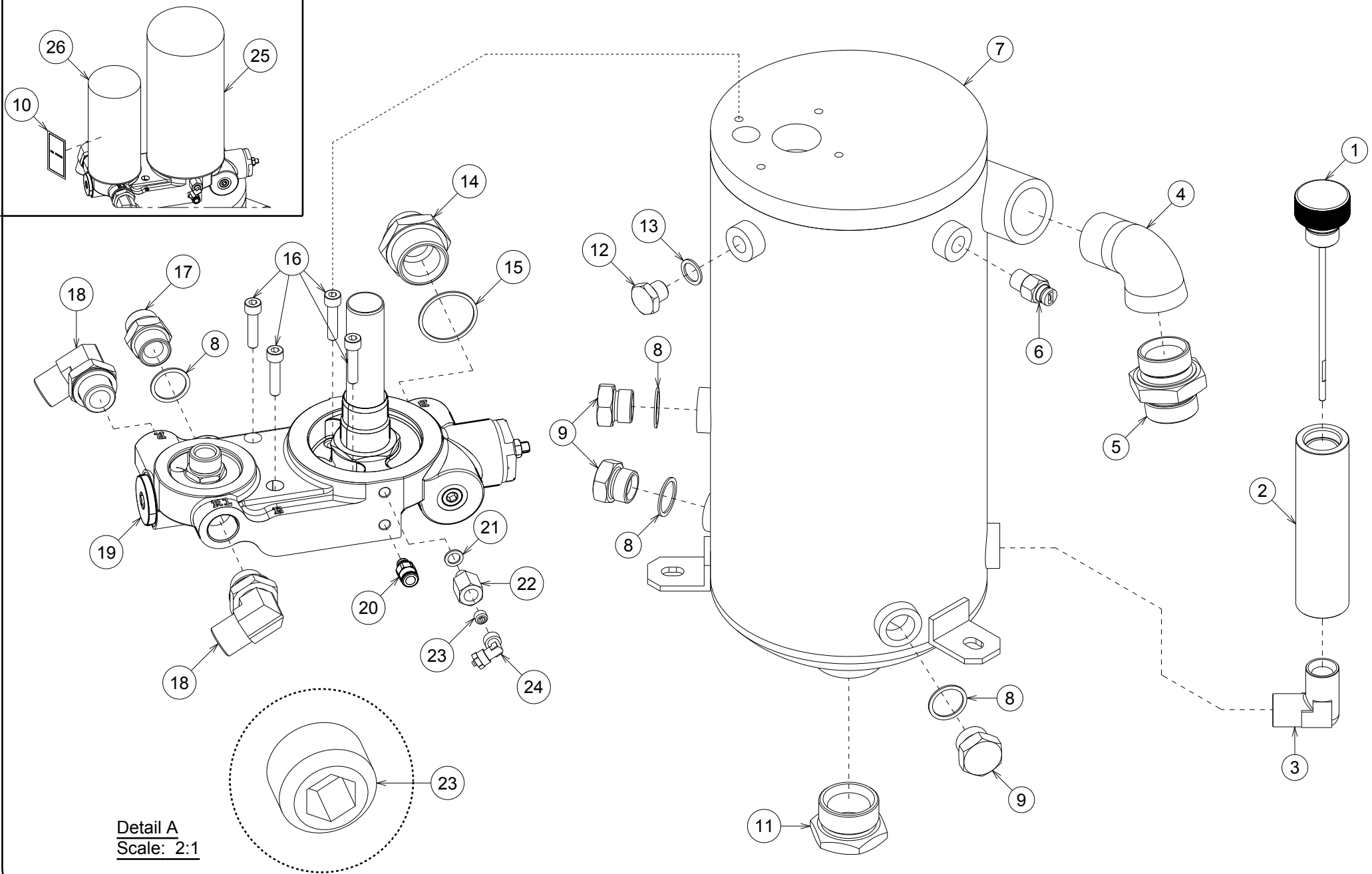
Detail A
Scale: 1:2

Motocompressor – MDVN 46K - 53K

PARTS LEGENDA: Separator tank 20lt

Tab. 04

POSITION	DESCRIPTION	PART No.	QUANTITY
1	Oil level rod plug	106-01060-S	1
2	Oil sleeve	063-1205-S	1
3	Conical 90° M+M adapter coupling ($\frac{3}{4}$ ")	148-287.35-S	1
4	Short radius curve M+F ($1\frac{1}{4}$ ")	111-060-S	1
5	Double screw ($1\frac{1}{4}$ ")	187-0852-S	1
6	Compressor thermal contact 115'	103-008-S	1
7	Separator tank	037-05682-S	1
	Separator tank 20 lt ASME	037-056825-S	
8	Copper washer ($\frac{3}{4}$ ")	015-015-S	4
9	Male hexagonal head iron plug ($\frac{3}{4}$ ")	106-130-S	3
10	Oil filter sticker	238-002-S	1
11	Male hexagonal head iron plug ($1\frac{1}{2}$ ")	106-137-S	1
12	Male hexagonal head iron plug (M16x1.5)	106-100-S	1
13	Copper washer (d. 16.2x22x1.5)	015-009-S	1
14	Double screw ($1 - 1\frac{1}{4}$ ")	187-075-S	1
15	Copper washer ($1\frac{1}{4}$ ")	015-019-S	1
16	TC.E.I screw (M8x35)	133-135-S	4
17	Double screw ($\frac{3}{4}$ ")	187-060-S	1
18	90° M+M joint ($\frac{3}{4}$ ")	148-2985-S	2
19	Valve assembly	024-021530-F	1
20	Straight quick coupling ($\frac{1}{8}$ ") for pipe d. 8	148-577-S	1
21	Copper washer ($\frac{1}{8}$ ")	015-005-S	1
22	Extension F+M L=30 ($\frac{1}{4}$ " – $\frac{1}{8}$ ")	189-302-S	1
23	S.T screw with hexagon ($\frac{1}{8}$ ")	218-001-S	1
24	90° coupling ($\frac{1}{4}$ ") for pipe d. 6	148-090-S	1
25	Separator filter	157-171-S	1
26	Compressor oil filter P<10 bar	099-008-S	1
	Compressor oil filter P≥10 bar	099-012-S	

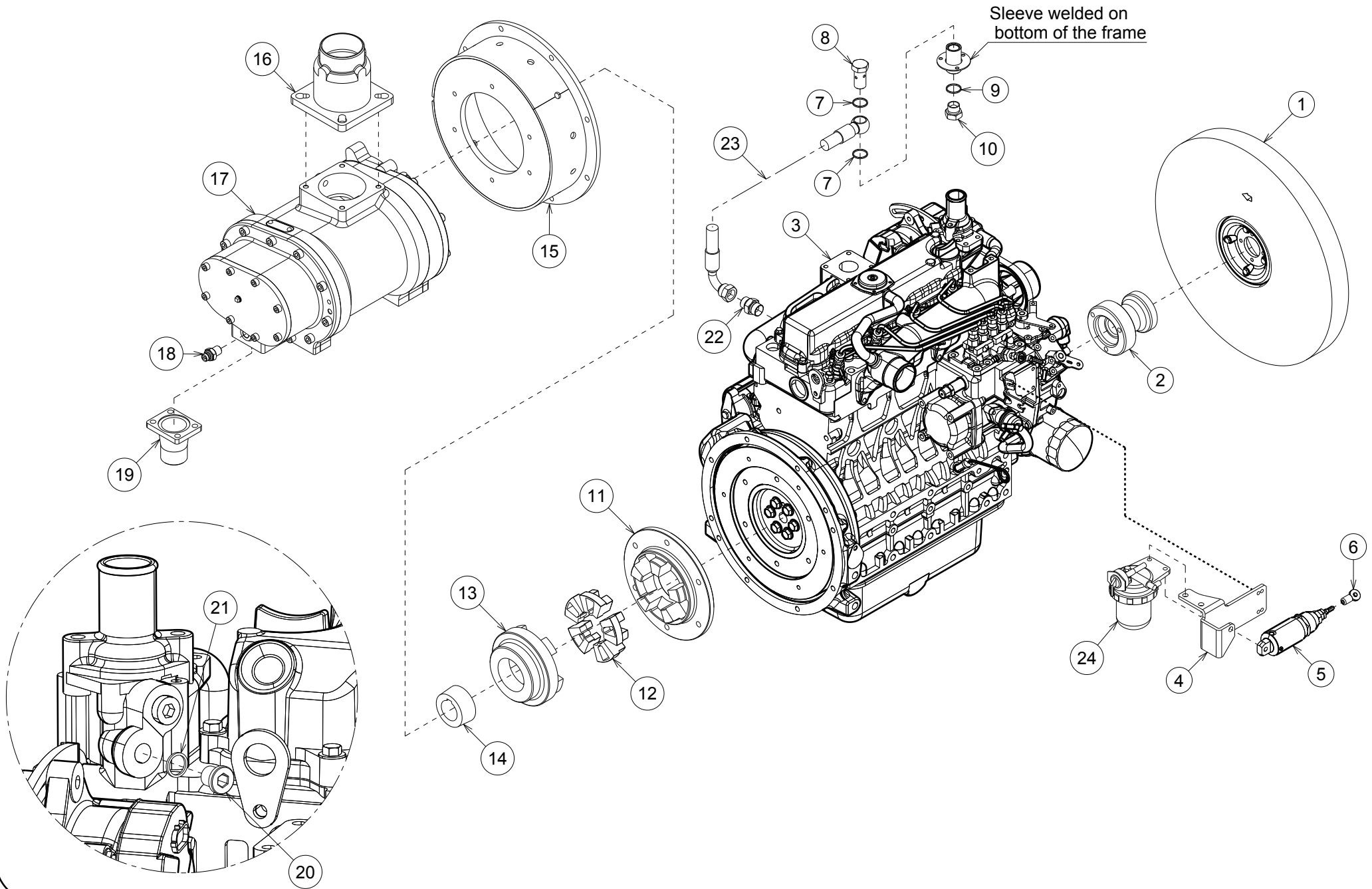


Motocompressor – MDVN 46K - 53K

PARTS LEGENDA: Engine – Air end

Tab. 05.1

POSITION	DESCRIPTION	PART No.	QUANTITY
1	Fan	083-11450-S	1
2	Fan support	028-083-S	1
3	Engine	165-4050-S	1
4	Accelerator piston support	010-10863-S	1
5	Assembly accelerator piston MDVN 46K	044-0040514-S	1
	Assembly accelerator piston MDVN 53K	044-0040516-S	1
6	Articulated joint for accelerator piston	236-021-S	1
7	Copper washer (d. 24.1)	015-014-S	2
8	Screw (½")	188-100-S	1
9	Copper washer (½")	015-012-S	1
10	Male hexagonal head iron plug (½")	106-125-S	1
11	Engine coupling	006-1053-S	1
12	Rubber small block	164-020-S	5
13	Joint for conical bushes	006-1270-S	1
14	Conical bush d. 40	959-02513-S	1
15	Fly wheel housing	020-08960-S	1
16	Regulator assembly	024-138181-F	1
17	Airend assembly P≤7 bar	Serial No.required	1
	Airend assembly P≥8 bar	Serial No.required	
18	Compressor thermal contact 125'	103-0125-S	1
19	Flex clamping flange	004-0695-S	1
20	Hexagonal head plug (M12x1.5)	106-092-S	1
21	Copper washer (d. 12.2)	015-006-S	1
22	Double screw (M22.5 – ½")	187-014-S	1
23	Piping (½")	065-172.31-S	
24	Gasoil filter (it comes with the engine)	191-0690-S	1



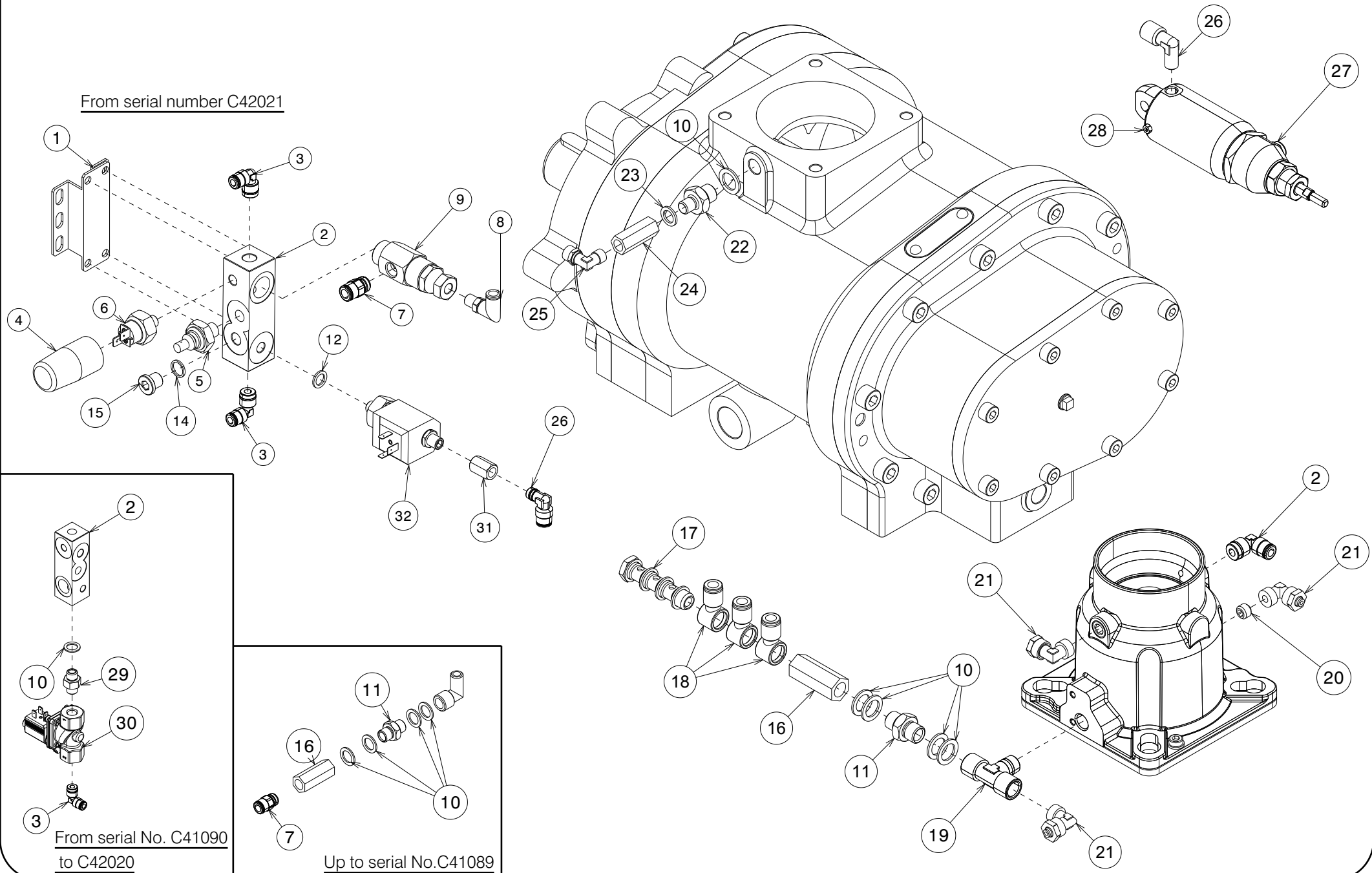
Motocompressor – MDVN 46K - 53K

PARTS LEGENDA: Accelerator piston – Valves block

Tab. 05.2

POSITION	DESCRIPTION	PART No.	QUANTITY	
1	Valves group support	010-314-S	1	
2	Devices coupling block	053-300-S	1	
3	90° quick coupling (¼") for pipe d.8	148-573.5-S	3	
4	Oil pressure switch cap	284-020-S	1	
5	Oil pressure switch 1.4 bar	154-030-S	1	
6	Oil pressure switch 3.5 bar	154-025-S	1	
7	Straight quick coupling (¼") for pipe d.8	148-575-S	1	
8	Rotating 90° quick coupling (1/8") for pipe d.8	148-800-S	1	
9	Pressure regulation valve assembly	024-032.1-F	1	
10	Copper washer (¼")	015-007-S	8	
11	Double screw (¼")	187-005-S	2	
12	Copper washer (1/8")	015-005-S	1	
13	Hexagonal head plug (¼")	106-086-S	1	
14	Solenoid valve	015-006-S	1	
15	Built-in hexagonal head plug M12x1.5	106-092-S	1	
16	Non-return valve (¼") with P<10 bar	033-017-S	1	
	Non-return valve (¼") with P≥10 bar	033-0178-S		
17	Quick coupling (¼")	148-5900-S	1	
18	Super quick coupling (¼") for pipe d.8	148-5901-S	3	
19	T fitting F+F+F (¼")	148-142-S	1	
20	S.T. screw with hexagon (1/8")	218-001-S	1	
21	90° fitting(¼") for pipe d.8	148-110-S	3	
22	Double screw (¼" – 1/8")	187-002-S	1	
23	Copper washer (1/8")	015-005-S	1	
24	Non-return valve (1/8")	033-001-S	1	
25	90° fitting (1/8") for pipe d.6	148-080-S	1	
26	90° quick coupling (1/8") for pipe d.8	148-572-S	1	
27	Assembly accelerator piston MDVN46K	044-0040514-S	1	
	Assembly accelerator piston MDVN53K	044-0040516-S	1	
28	S.T.screw with hexagon (M5x10)	218-080-S	1	
29	Double screw (1/4")	187-006-S	1	
30	Solenoid valve (From serial No.C41090 to C42020)	160-0871-S	1	
31	Spacer 20 D. 1/8"	(From serial No. C42021)	009-014-S	1
32	Solenoid valve D.1/8 12V		160-052-S	1

From serial number C42021



From serial No. C41090
to C42020

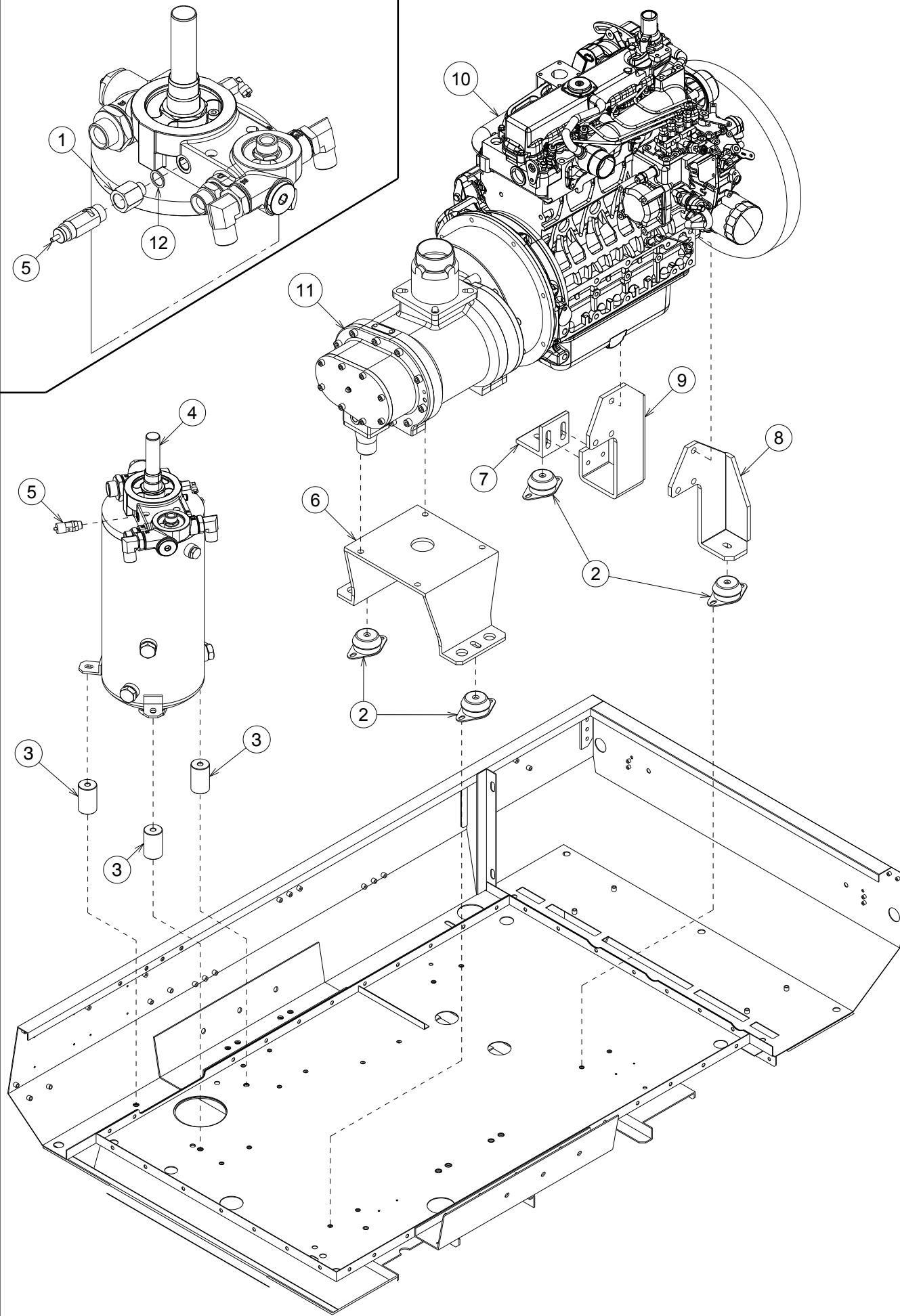
Up to serial No. C41089

Motocompressor – MDVN 46K - 53K

PARTS LEGENDA: Clampings to the chassis

Tab. 06

POSITION	DESCRIPTION	PART No.	QUANTITY
1	Reduction M+F (3/8" – 1/2") + extension M+F (3/8") (for version ASME and P≥13 bar)	190-151-S + 189-040-S	1
2	Silent Block	061-02370-S	4
3	Spacer	009-12270-S	3
4	Separator tank assembly	024-614900-F	1
5	Safety valve P<10 bar	033-0352-S	1
	Safety valve P= 11-12 bar	033-037-S	
	Safety valve P≥13 bar	033-0575-S	
	Safety valve ASME	033-059-S	
6	Compressor support	027-0890-S	1
7	Engine support	039-1153-S	1
8	Right engine support	039-115405-S	1
9	Left engine support	039-115425-S	1
10	Engine	165-4050-S	1
11	Airend	024-0329146-F	1
12	Copper washer (3/8")	015-010-S	1

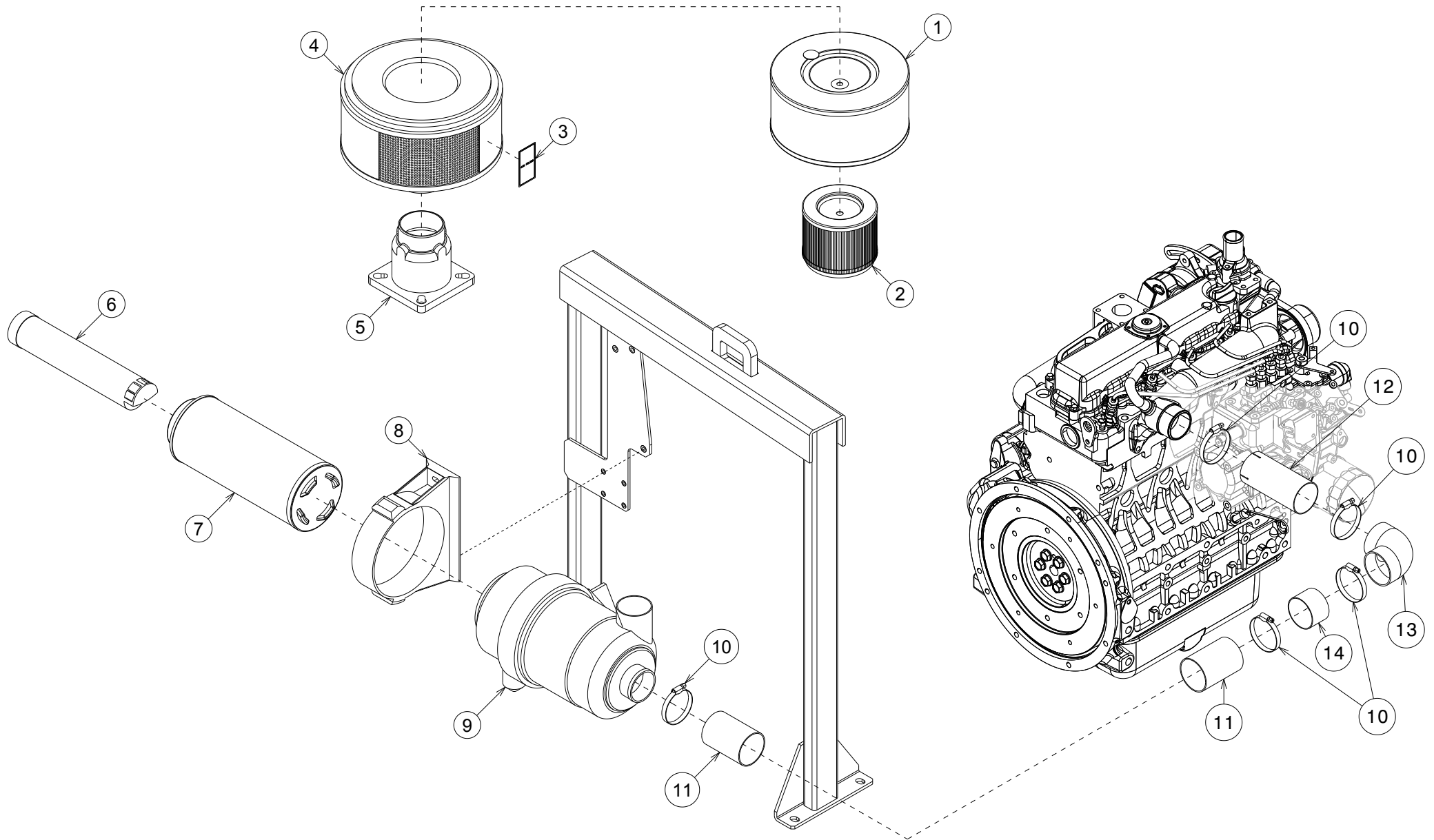


Motocompressor – MDVN 46K - 53K

PARTS LEGENDA: Air filters cartridges

Tab. 07

POSITION	DESCRIPTION	PART No.	QUANTITY
1	Air filter cartridge	162-576-S	1
2	Air filter cartridge	162-577-S	1
3	Air filter sticker	238-001-S	1
4	Air filter container group	014-28962-S	1
5	Regulator assembly	024-138181-F	1
6	Secondary air filter	162-0087-S	1
7	Primary air filter	162-0086-S	1
8	Mann air filter support	010-2418-S	1
9	Mann filter group	014-4221-S	1
10	Pipe clamp d. 50x70	149-140-S	5
11	Aerator pipe d. 60	089-030-S	1
12	Engine intake manifold	119-04310-S	1
13	Curve d. 60	111-106-S	1
14	Reduction d.60	190-61403-S	1



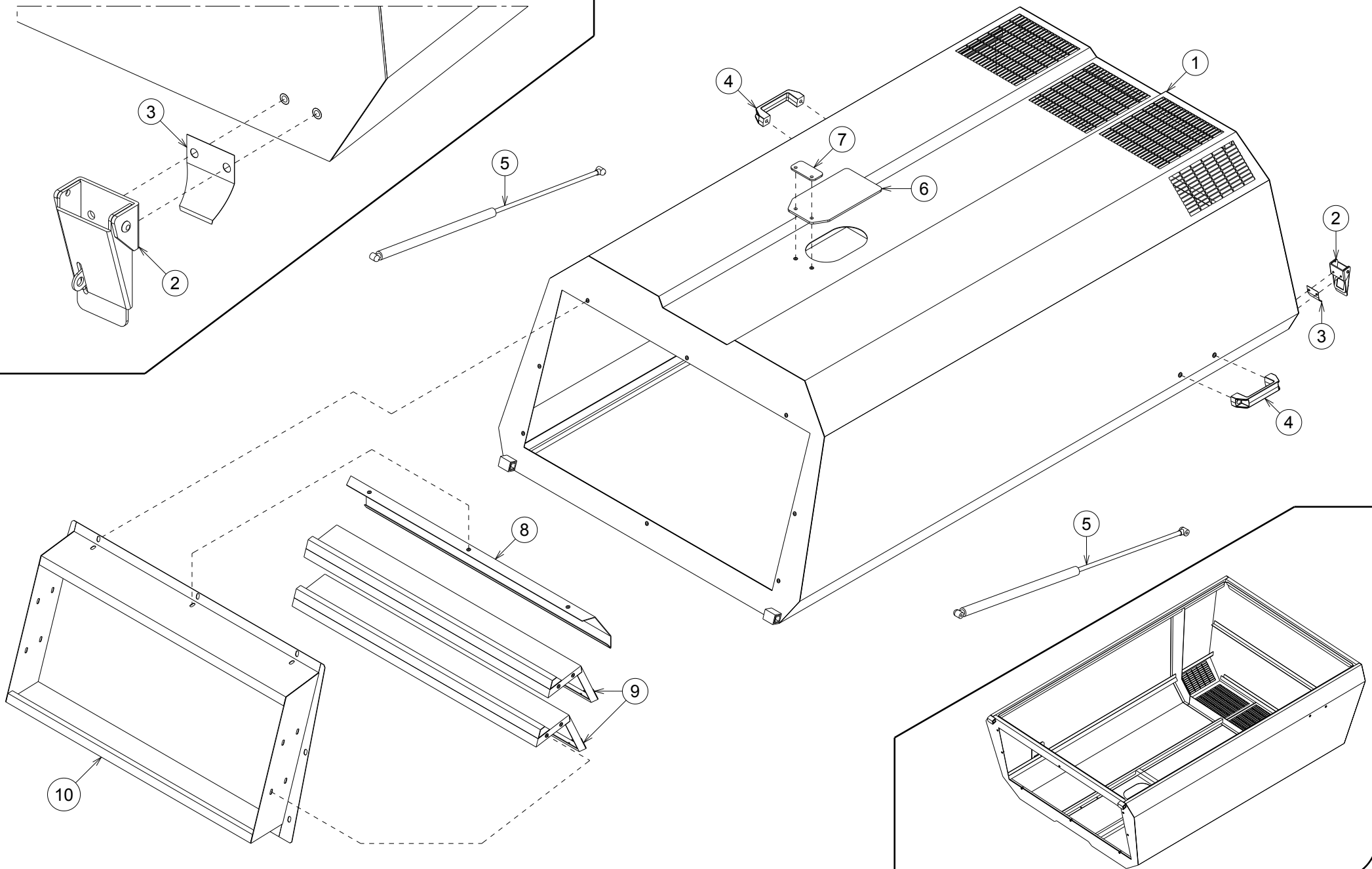
PARTS LIST

Motocompressor – MDVN 46K - 53K

PARTS LEGENDA: Canopy

Tab. 08

POSITION	DESCRIPTION	PART No.	QUANTITY
1	Whole canopy	036-1786-S	1
2	Lock	128-010-S	2
3	Lock spring	043-0335-S	2
4	Handle	209-009-S	2
5	Lifting piston	091-1085-S	2
6	Hook rubber part	177-201-S	1
7	Rubber stop plate	208-004-S	1
8	Air intake upper sound-proof panel	124-2923-S	1
9	Air intake sound-proof panel	124-2922-S	2
8/9*	Air intake sound-proof panel (Extra CEE)	124-247500-S	3
10	Air intake	022-05115-S	1
	Air intake(Extra CEE)	022-05400-S	1



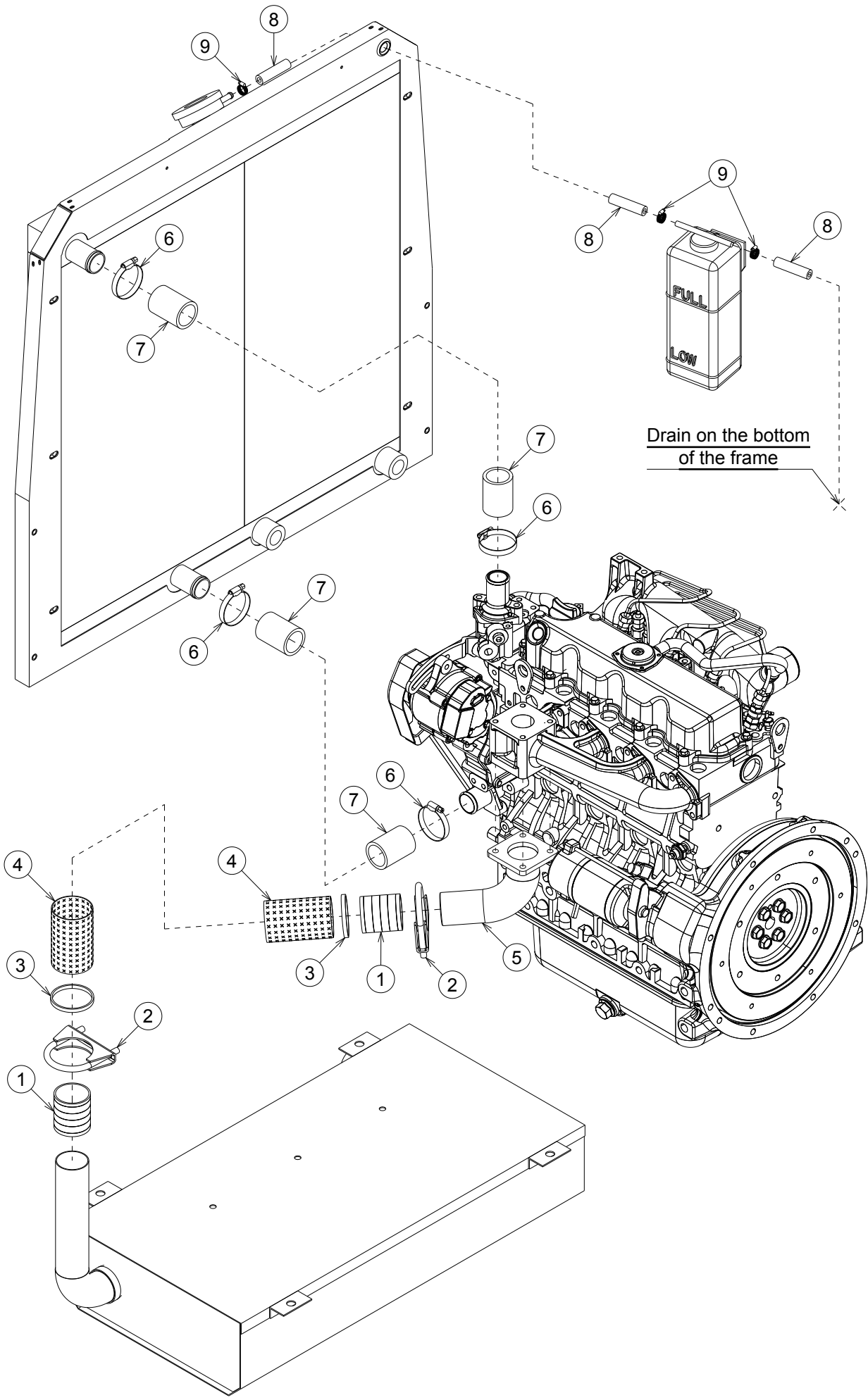
PARTS LIST

Motocompressor – MDVN 46K - 53K

PARTS LEGENDA: Cooling system

Tab. 09.1

POSITION	DESCRIPTION	PART No.	QUANTITY
1	Inox pipe d. 50	090-0105-S	1
2	Pipe clamp d. 54	149-070-S	2
3	Pipe clamp d. 40/60	149-135-S	2
4	Braiding fiber-glass d. 60	097-031-G	1
5	Exhaust manifold	119-0756-S	1
6	Pipe clamp d.32x54 cost.torque	149-1321-S	4
7	Calorflex pipe d. 35x45	089-006-S	2
8	Anti-oil pipe d. 15x8	089-120-S	2
9	Pipe clamp d. 10x16	149-007-S	3



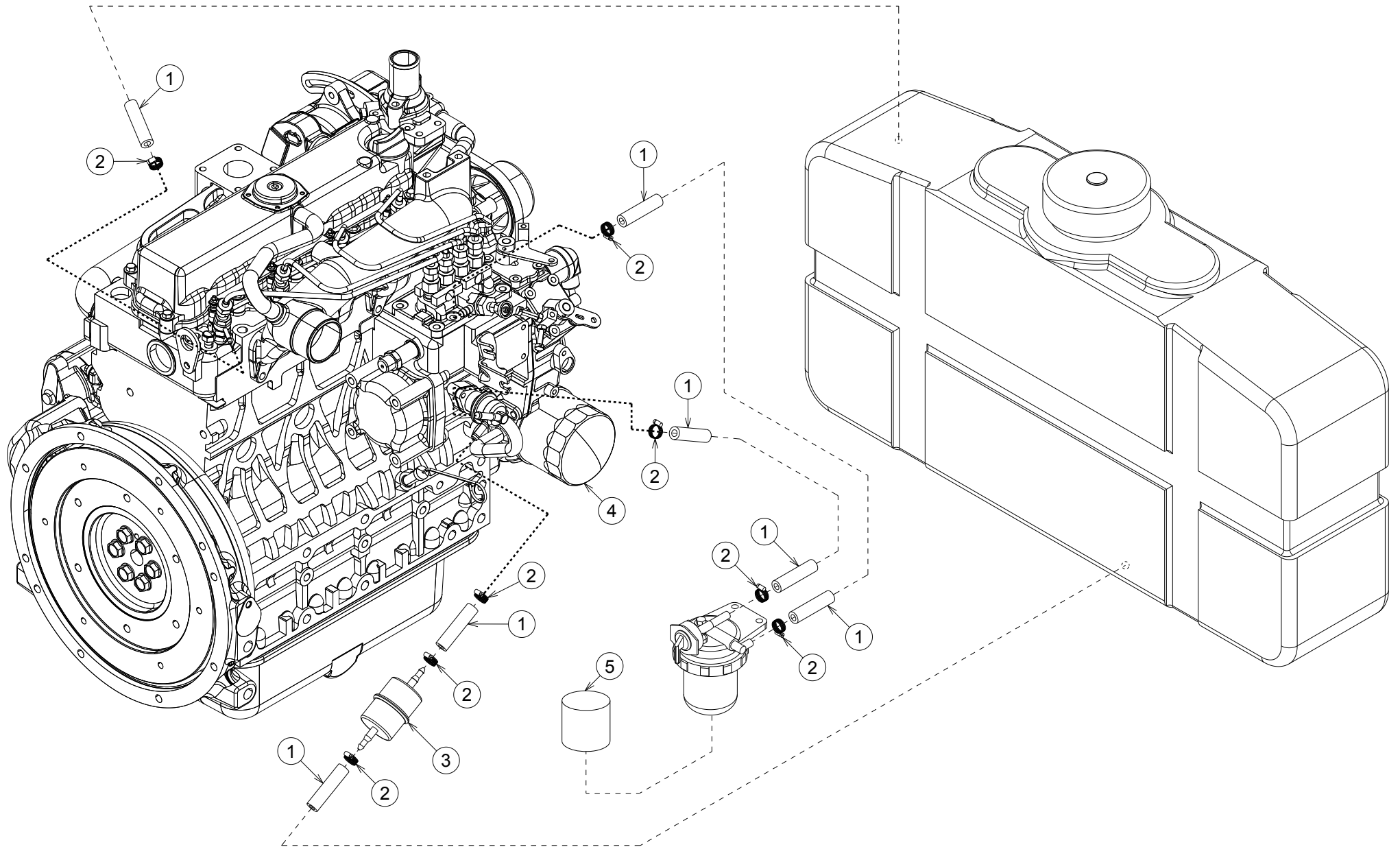
PARTS LIST

Motocompressor – MDVN 46K - 53K

PARTS LEGENDA: Fuel system

Tab. 09.2

POSITION	DESCRIPTION	PART No.	QUANTITY
1	Anti-oil pipe for fuel d. 15x8	089-120-S	5
2	Pipe clamp d. 10x16	149-007-S	10
3	Safety gasoil filter	191-001-S	1
4	Engine oil filter	099-062-S	1
5	Engine gasoil filter	191-0690-S	1



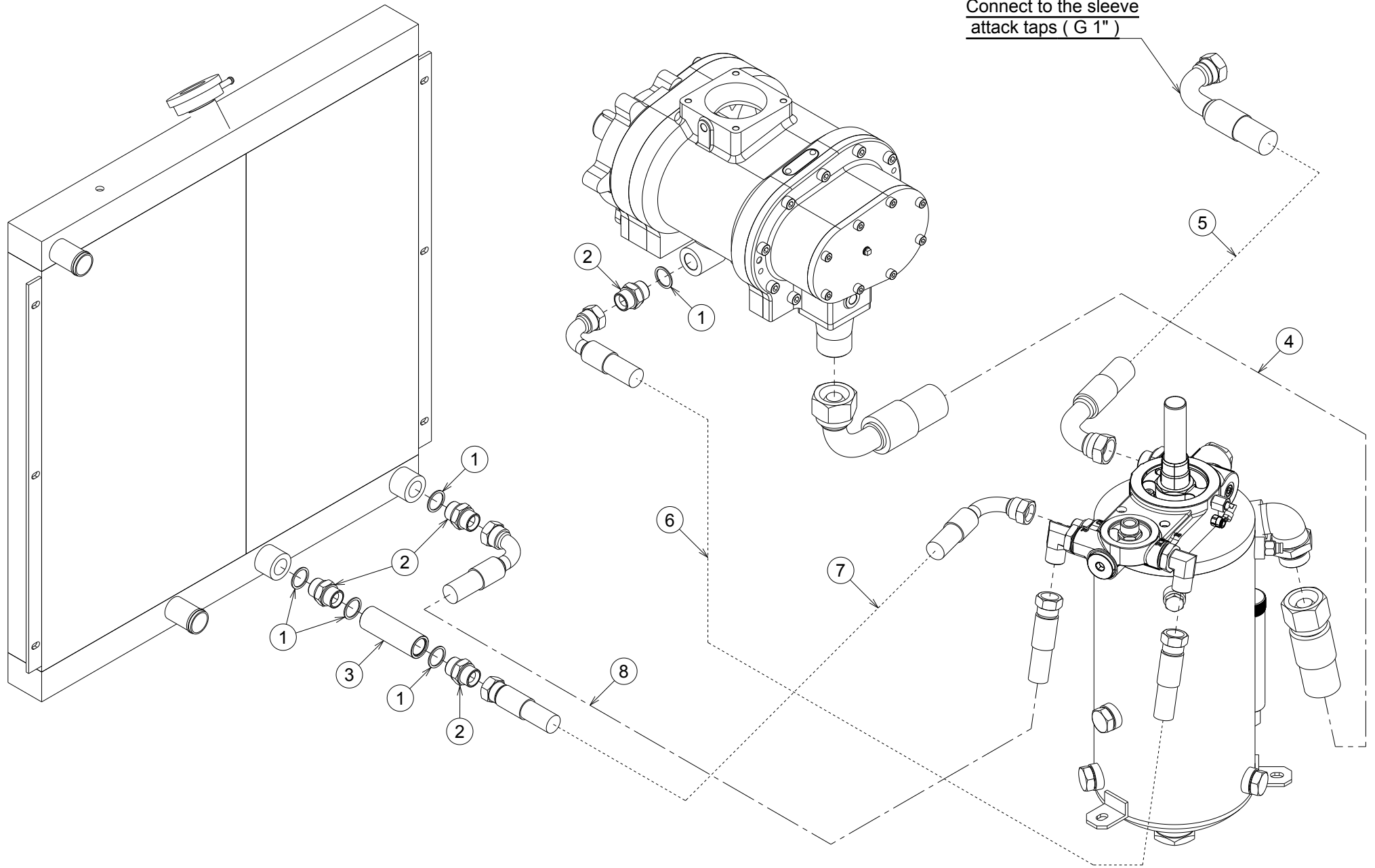
PARTS LIST

Motocompressor – MDVN 46K - 53K

PARTS LEGENDA: Oleopneumatic system

Tab. 09.3

POSITION	DESCRIPTION	PART No.	QUANTITY
1	Copper washer ($\frac{3}{4}$ ")	015-015-S	5
2	Double screw ($\frac{3}{4}$ ")	187-060-S	4
3	Sleeve L=100 ($\frac{3}{4}$ ")	063-080-S	1
4	Pipe (1 $\frac{1}{4}$ ")	065-3019.90-S	1
5	Pipe (1")	065-876.6549-S	1
6	Pipe ($\frac{3}{4}$ ")	065-740.055-S	1
7	Pipe ($\frac{3}{4}$ ")	065-835-S	1
8	Pipe ($\frac{3}{4}$ ")	065-836.062-S	1



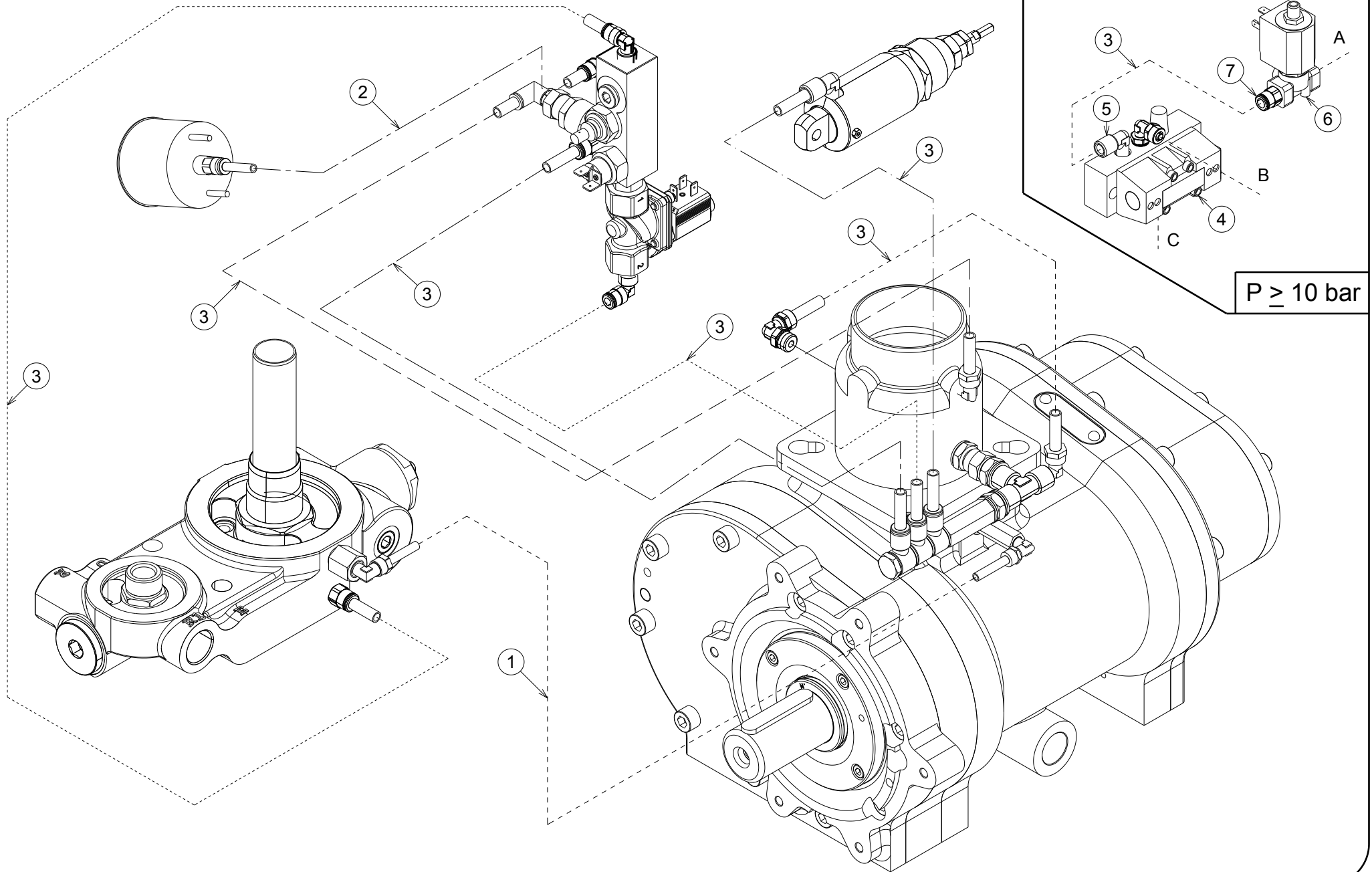
PARTS LIST

Motocompressor – MDVN 46K - 53K

PARTS LEGENDA: Oleopneumatic system

Tab. 09.4

POSITION	DESCRIPTION	PART No.	QUANTITY
1	Polyamides pipe d.6	089-060-S	1
2	Rilsan pipe d.6	089-0605-S	1
3	Rilsan pipe d.8	089-0705-S	6
4	Valve	033-080-S	1
5	90° quick coupling (1/8") for pipe d. 8	148-572-S	1
6	Solenoid valve	160-056-S	1
7	Straight quick coupling (1/8") for pipe d. 8	148-577-S	1



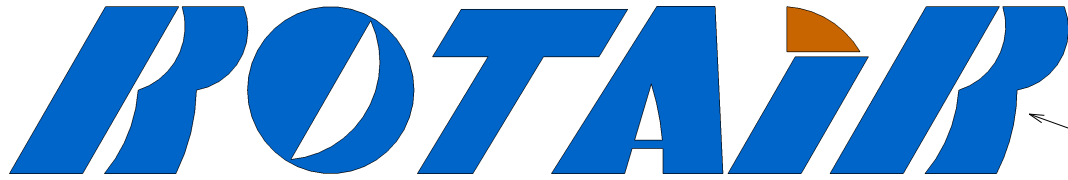
PARTS LIST

Motocompressor – MDVN 46K - 53K

PARTS LEGENDA: Decals

Tab. 10

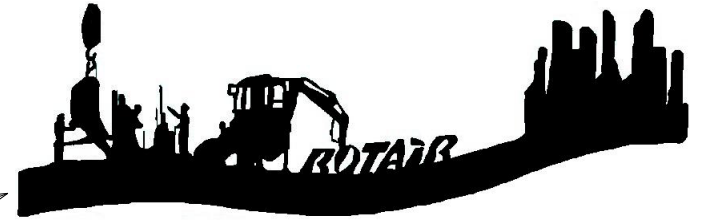
POSITION	DESCRIPTION	PART No.	QUANTITY
1	Rotair sticker 700x110	238-0215-S	2
2	Ultra-Silent grey sticker	238-0381-S	1
3	Warnings sticker	238-1240.2-S	1
4	MDVN 46 K Intelligent System sticker	238-016546-S	2
	MDVN 53 K Intelligent System sticker	238-016553-S	2
5	"www.rotairspa.com" 300x30 sticker	238-342-S	1
6	Building yard 900x230 grey sticker	238-35740-S	1
7	Serial number plate	238-1457-S	1



www.rotairspa.com

MDVN 53 K
Intelligent System

2 → ULTRA-SILENT

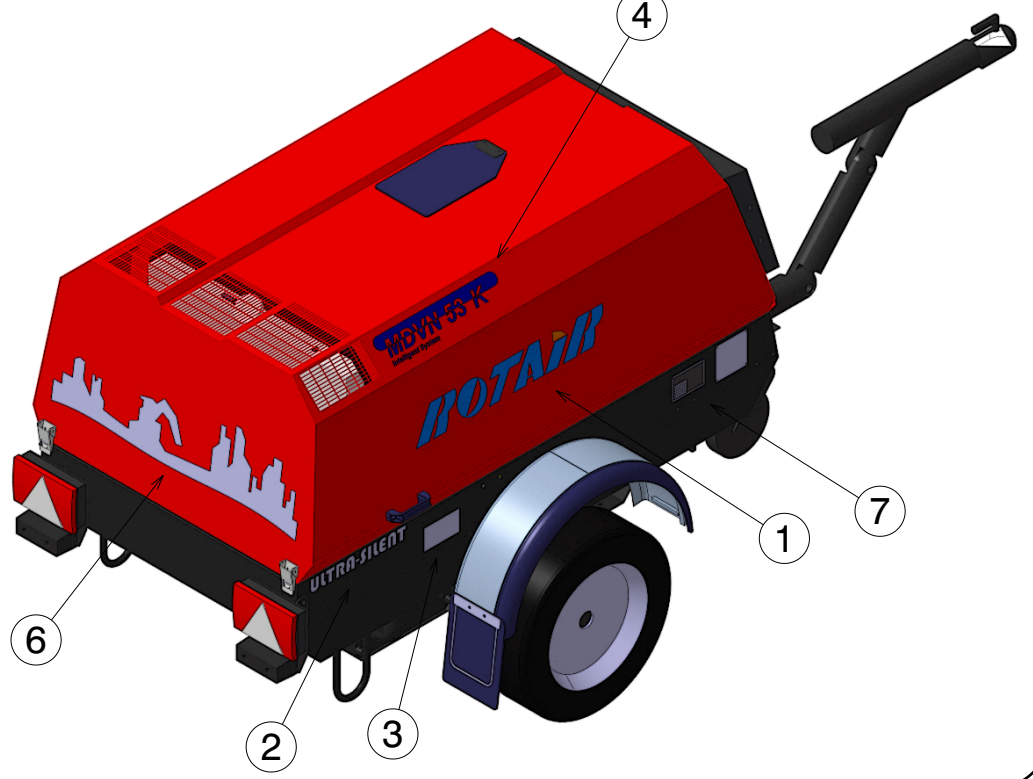


5

6

CAUTION	
Following operation, make sure the engine is fully cooled down.	
Before starting the machine, check the oil level and the amount of fuel in the tank. The engine should be started with the engine stop button.	
When starting the engine, make sure that the machine is off and that there is no person near the machine.	
READ THE USER AND SERVICE MANUAL	
BEFORE USING THE MOWER CONSTRUCTION	
Should the machine be used with a non-approved engine, it will not be covered by the warranty. Should the machine be used with a non-approved engine, the manufacturer will not be responsible for any damage or injury.	
In case of problems in working, do not repair the unit before calling the ROTAIR technical service.	
READ THE MANUAL AND THE INSTRUCTIONS	
The machine is equipped with an engine, which is used to power the generator. It is a hazardous substance. Handle the engine with care. Do not touch the engine when it is running.	
PRESENCE OF CORROSIVE FLUIDS INSIDE THE MACHINE	
PRESENCE OF ELECTRICAL PARTS	

3



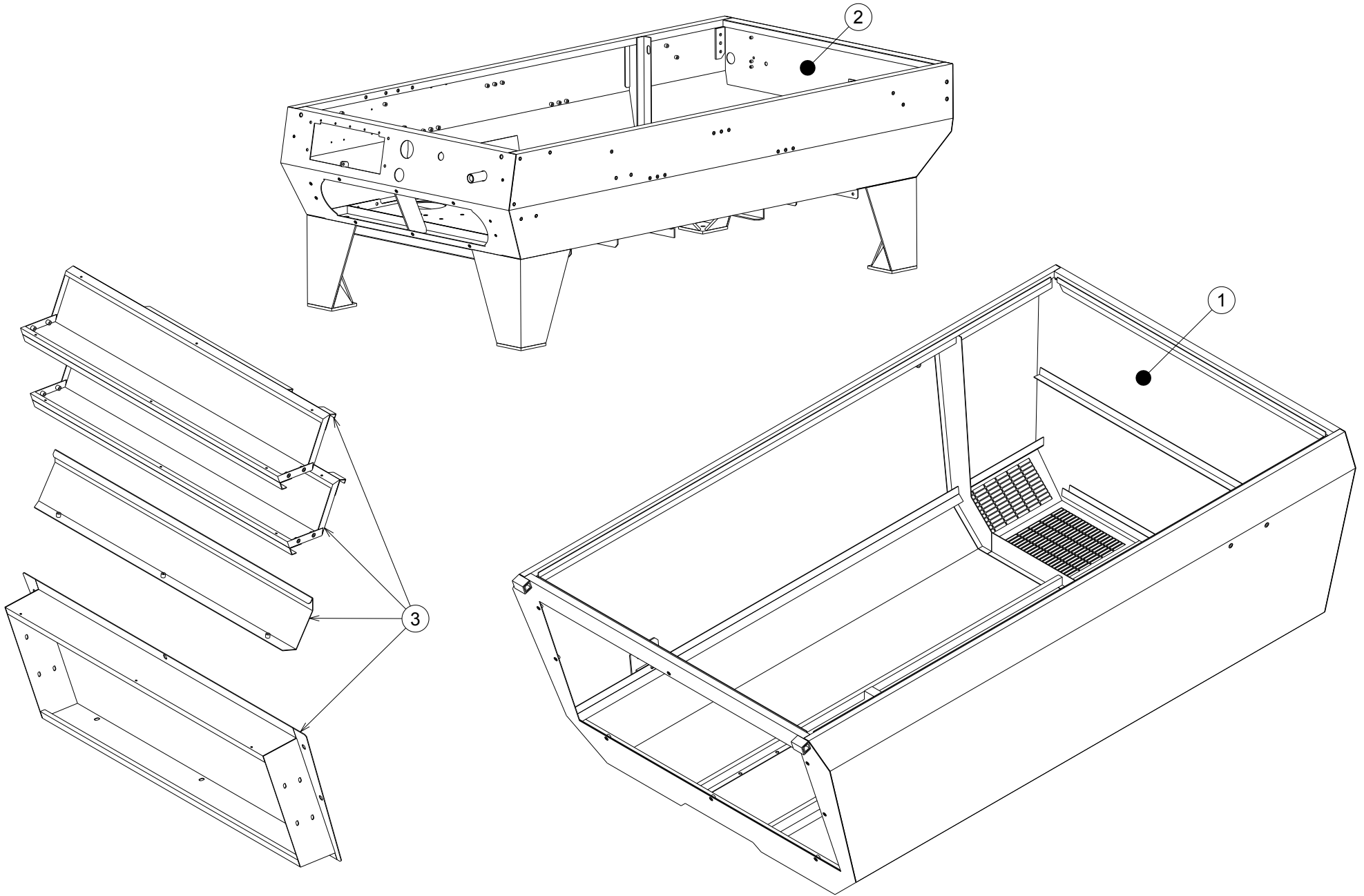
PARTS LIST

Motocompressor – MDVN 46K - 53K

PARTS LEGENDA: Soundproofing Kit

Tab. 11

POSITION	DESCRIPTION	PART No.	QUANTITY
1	Canopy foam rubber kit	204-31301-S	1
2	Chassis foam rubber kit	204-31321-S	1
3	Air intakes foam rubber kit	204-335600-S	1



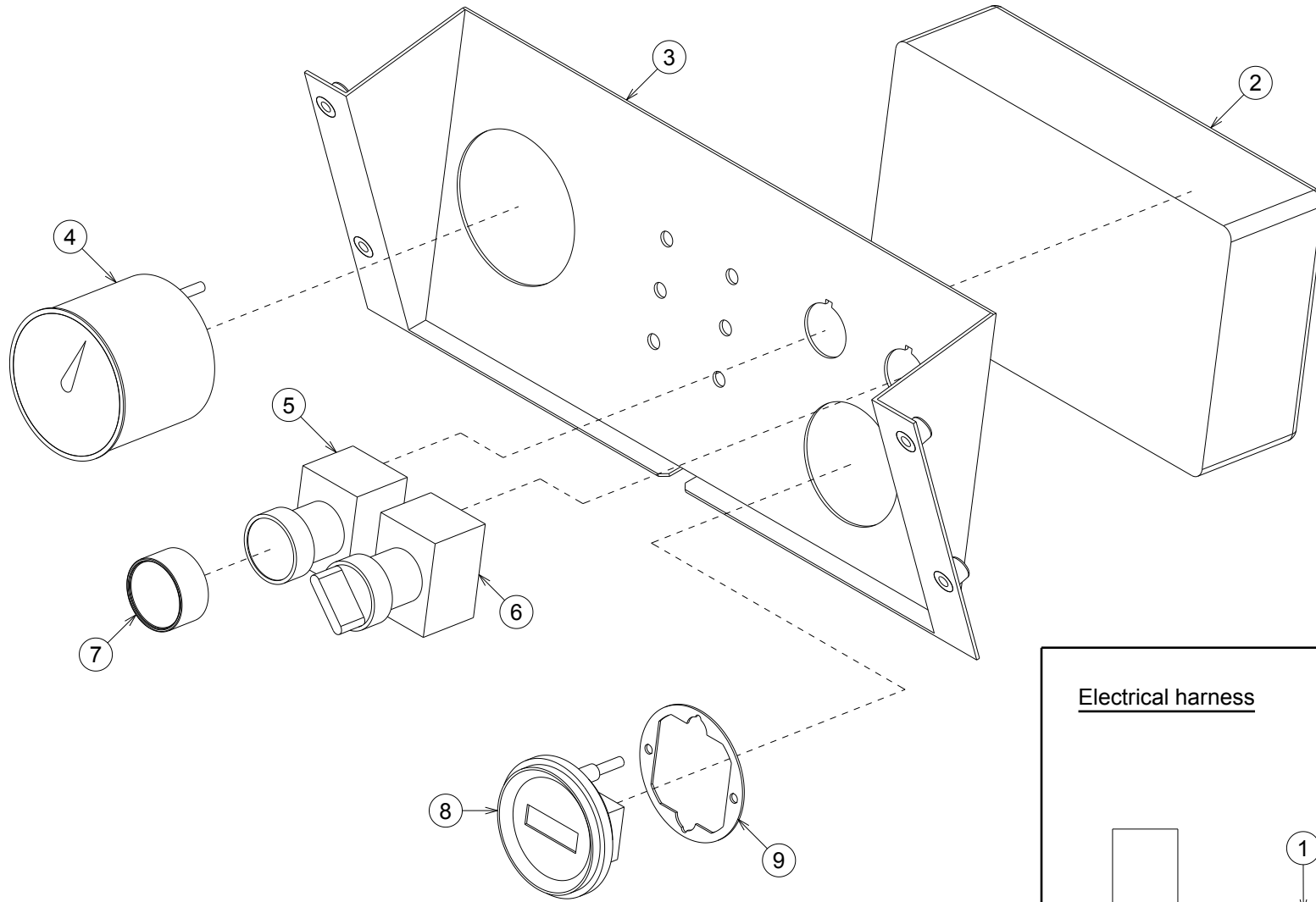
PARTS LIST

Motocompressor – MDVN 46K - 53K

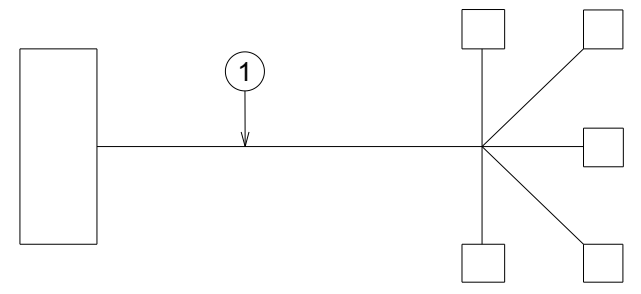
PARTS LEGENDA: Control panel

Tab. 12

POSITION	DESCRIPTION	PART No.	QUANTITY
1	Wiring harness	224-4706-S	1
2	Electronic card	269-408-S	1
3	Control panel	040-0426-S	1
4	15 bar pressure gauge	206-020-S	1
5	Green push-button switch	154-055-S	1
6	Two-positions selector	249-020-S	1
7	Anti-dust plastic plug	106-290-S	1
8	Electronic hour-counter	180-010-S	1
9	Rubber seal	023-219-S	1



Electrical harness

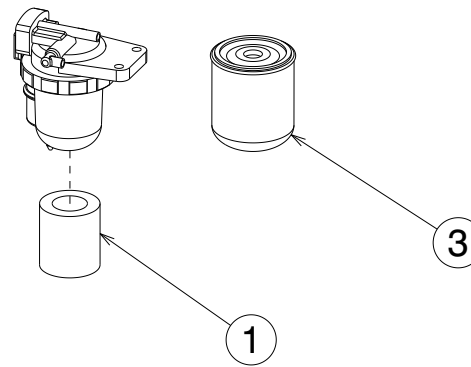
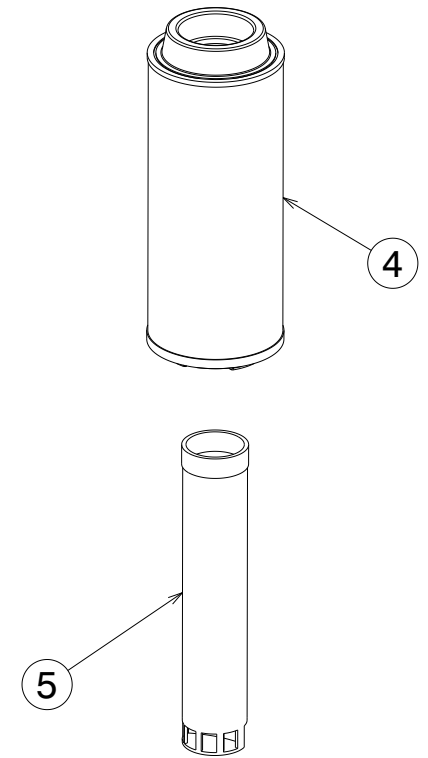
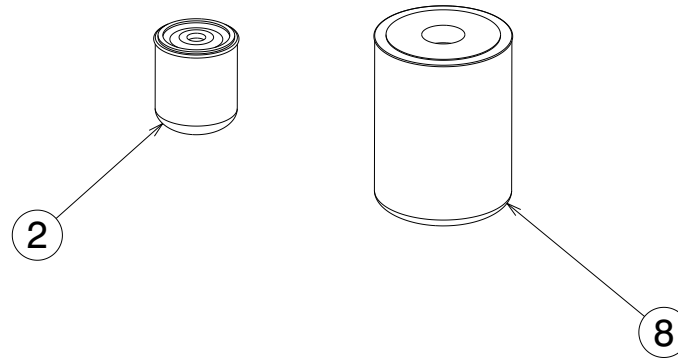
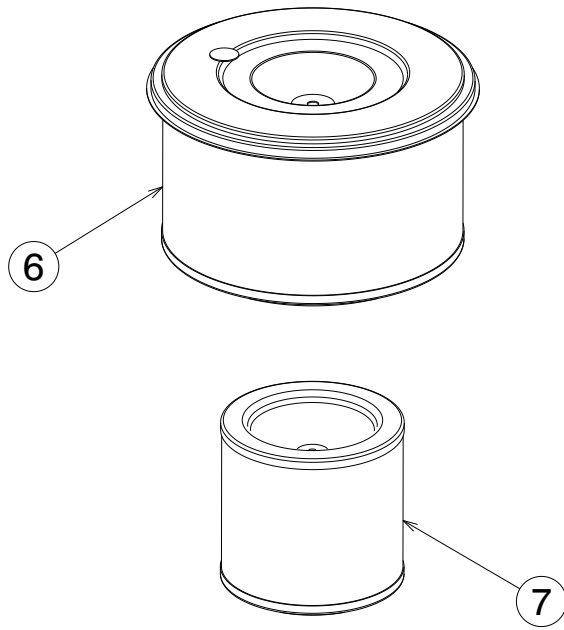


Motocompressor – MDVN 46K - 53K

LEGENDA: Filters Kit

Tab. 13

REF	NAME	CODE	QUANTITY
Filter kit 500 Hrs		204-09202-S	
1	Engine gasoil filter	191-0690-S	2
2	Compressor oil filter	099-008-S	1
3	Engine oil filter	099-062-S	2
4	1° engine air filter	162-0086-S	1
5	2° engine air filter	162-0087-S	1
6	Compressor air filter 1°	162-576-S	1
7	Compressor air filter 2°	162-577-S	1
Filter kit 2000 Hrs		204-09204-S	
1	Engine gasoil filter	191-0690-S	8
2	Compressor oil filter	099-008-S	4
3	Engine oil filter	099-062-S	8
4	1° engine air filter	162-0086-S	4
5	2° engine air filter	162-0087-S	4
6	Compressor air filter 1°	162-576-S	4
7	Compressor air filter 2°	162-577-S	4
8	Separator filter	157-171-S	1



Motocompressor – MDVN 46K – MDVN 53K

PARTS LEGENDA: Aftercooled version

Tab. 14

POSITION	DESCRIPTION	CODE	QUANTITY
1	Fan	083-11450-S	1
2	Refrigerated cooler protection	032-1095-S	1
3	Refrigerated cooler	011-067-S	1
4	Air-oil radiator	011-06962-S	1
5	Watts filter (1 ½")	217-020-S	1
6	Watts automatic drain valve (1 ½")	237-020-S	1
7	90° fitting M+M (1")	148-2987-S	2
8	90° fitting F+F rotating (1")	148-299.30-S	1
9	Hose (1") L=750	065-861.01-S	1
10	Hose (1") L=1100	065-875.7-S	1
11	Double screw 1" cil. to 1"1/4 conical	187-0752-S	2
12	Copper washer (1" ¼)	015-019-S	1
13	Kristall pipe d.12x8	089-090-S	1
14	Pipe clamp d. 8/11	149-005-S	1

MAXJONEL SRL

CUI: RO21803460; J28/418/2007

Str. Fratii Buzesti, 76A, Bals, judet Olt, 235100

Comenzi: 0741 499 499 - 0757 101 819;

Piese schimb: 0785 850 961

comenzi@maxjonel.ro; www.maxjonel.ro

